

scheppach

5903703901

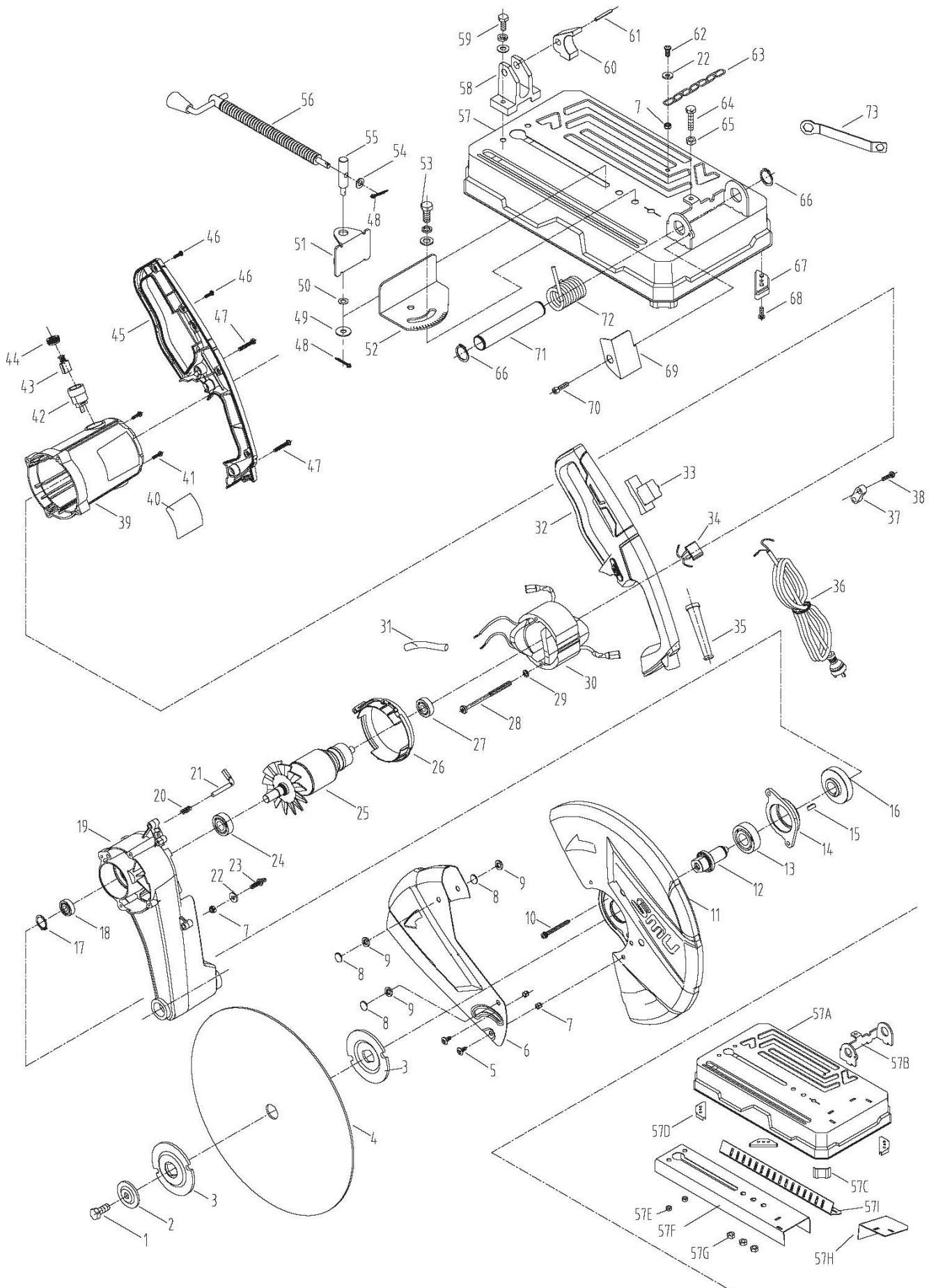
cut-off saw MT150
scheppach



Scheppach

5903703901

cut-off saw MT150
scheppach





Main products

Spare part list

5903703901

211318 - 0276 - MT150 - -

Spare	Description	additional	Item	Abb.	ConstructStatus	
02093383	hexagon bolt	M10x20	1	A	*	
5903703001	Small flange		2	A	*	
5903703002	Big flange		3	A	*	
5903702701	Cutting disc	355x25.4x3.2	4	A	*	
5903703003	Spindle		12	A	*	
5903703004	Rotor		25	A	*	
5903703005	Stator		30	A	*	
5903703006	Switch		33	A	*	
5903703007	capacitor	TNS-2H 0,33uF 40/085/21/C 275V	34	A	*	
5903703008	Power cord with plug		36	A	*	
5903703009	Carbon brush set	(1 Set = 2 Pcs.)	43	A	*	
5903703010	Carbon brush cover	(1 Set = 2 Pcs.)	44	A	*	
5903703011	Threaded block cpl.		48-56	A	*	
5903703012	Large splint		52	A	*	
5903703013	Large torsion spring		72	A	*	
01089502	13x17 SPANNER SW 13/17 895	SW 13/17	73	A	*	not available anymore

!!! Do you know: From now on you can view spare parts lists in our spare parts shop and order spare parts and accessories directly. More information can be found here: <https://www.scheppach.com/Shop.aspx>