

scheppach

5907109900

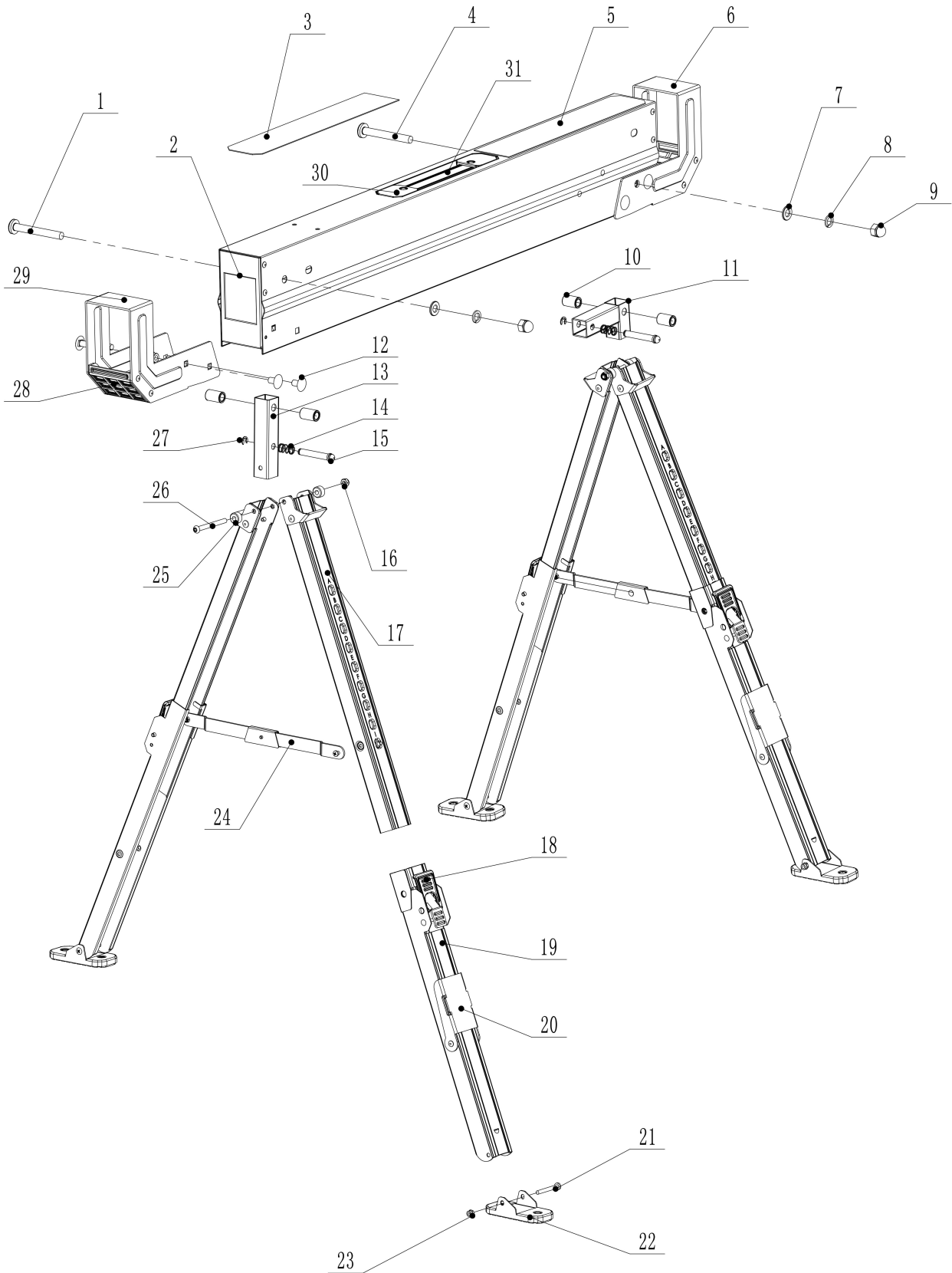
Saw horse MWB600
scheppach



Scheppach

5907109900

Saw horse MWB600
scheppach





5907109900

Saw horse MWB600
scheppach



Main products

Spare part list

5907109900

154617 - 0158 - MWB600 - -

Spare	Description	additional	Item	Abb.	ConstructStatus
5807301003	Anti-slip surface		3	A	*
5907109001	2x4 Bracket 1		6	A	*
02902106	washer	A6.4 Ø18/6.4x1.5	7	A	*
02012705	spring pin	A6 FEDST 127 VZ	8	A	*
02098504	selflocking nut	M6 galvanized DIN985	16	A	*
3904701017	cylinder screw part 6	M5x55	21	A	*
5907109002	Steel and Plastic Feet		22	A	*
5907109003	2x4 Bracket 2		29	A	*

!!! Do you know: From now on you can view spare parts lists in our spare parts shop and order spare parts and accessories directly. More information can be found here: <https://www.scheppach.com/Shop.aspx>