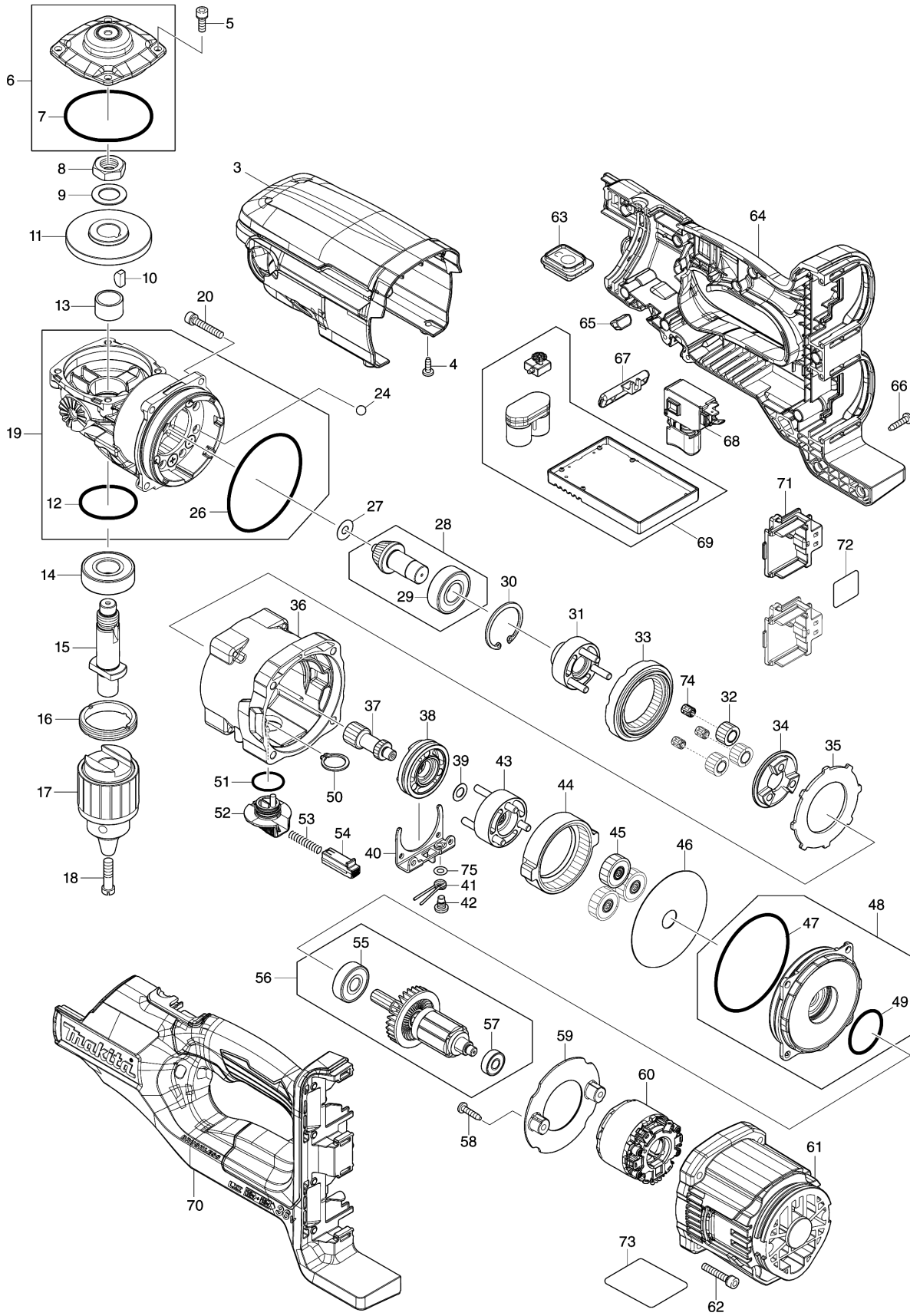
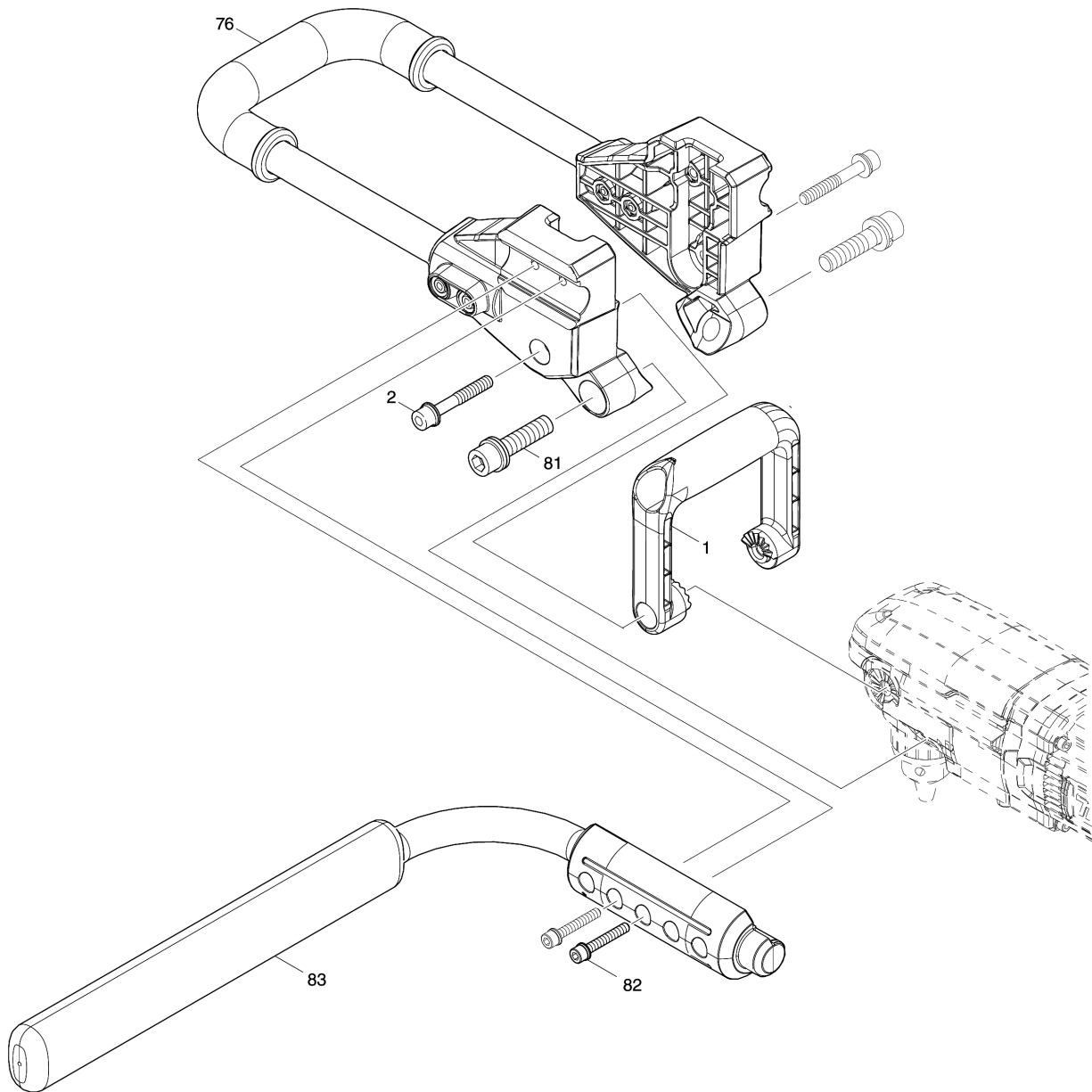


Model No.DDG460 CORDLESS EARTH AUGER



Model No.DDG460 CORDLESS EARTH AUGER



Model No.DDG460 CORDLESS EARTH AUGER

Položka	Číslo dílu	Popis	Změna	Množství	New/Old	Možnost 1	Možnost 2	Poznámka
001	458431-1	FRONT GRIP		1				
002	922478-6	H.S.H.BOLT M8X55 WITH WR		2				
003	458430-3	TOP COVER		1				
004	266026-4	TAPPING SCREW BIND CT 4X12		2				
005	266086-6	HEX. SOCKET HEAD BOLT M5X16		4				
006	140A21-7	GEAR HOUSING COVER COMPLETE		1				
D10		INC. 7						
007	213709-7	O RING 63		1				
008	252267-8	HEX. NUT M16-22		1				
009	253771-0	FLAT WASHER 16		1				
010	254032-1	WOODRUFF KEY 5		1				
011	227416-6	SPIRAL BEVEL GEAR 40		1				
012	213507-9	O RING 40		1				
013	257440-5	SLEEVE 17		1				
014	211278-2	BALL BEARING 6203DDW		1				
015	327106-2	SPINDLE		1				
016	285842-5	BEARING RETAINER 36-43		1				
017	763250-5	DRILL CHUCK S-13		1				
018	251463-5	- FLAT HEAD SCREW M6X22		1				
019	140A22-5	GEAR HOUSING COMPLETE		1				
C10	233326-7	COMPRESSION SPRING 5		8				
C20	256393-5	SHOULDER PIN 5-8.5		8				
C30	347364-4	GUIDE PLATE		1				
C40	265148-7	TORX SOCKET HEAD SCREW M5X14		6				
D10		INC. 12,26						
020	265695-8	H. S. H. BOLT M5X30 WITH WRM		4				
024	216022-2	STEEL BALL 7.0		8				
026	213755-0	O RING 75		1				
027	253411-0	FLAT WASHER 6		1				
028	140A23-3	SPIRAL BEVEL GEAR 13 COMPLETE		1				
D10		INC. 29						
029	211206-7	BALL BEARING 6202LLB		1				
030	962153-2	RETAINING RING R-35		1				
031	140A13-6	CARRIER A COMPLETE		1				
032	226176-7	SPUR GEAR 13		3				
033	226177-5	INTERNAL GEAR 40		1				
034	223188-1	CAM		1				
035	347365-2	WASHER 65		1				
036	140A16-0	GEAR CASE COMPLETE		1				
037	226175-9	SPUR GEAR 14		1				
038	310876-0	CHANGE RING		1				
039	253215-0	FLAT WASHER 8		1				
040	347366-0	CHANGE GUIDE		1				

Please order the parts with part number.

Print Date 23/12/2020

Model No.DDG460 CORDLESS EARTH AUGER

Položka	Číslo dílu	Popis	Změna	Množství	New/Old	Možnost 1	Možnost 2	Poznámka
041	231657-8	TORSION SPRING 6		1				
042	265628-3	+ BINDING HEAD SCREW M5		1				
043	140A14-4	CARRIER B COMPLETE		1				
044	226174-1	INTERNAL GEAR 71		1				
045	140A12-8	SPUR GEAR 29 COMPLETE		3				
046	253412-8	FLAT WASHER 15		1				
047	213755-0	O RING 75		1				
048	140A20-9	MOTOR BRACKET COMPLETE		1				
D10		INC. 47,49						
049	213406-5	O RING 30		1				
050	961058-3	RETAINING RING (EXT) S-18		1				
051	213265-7	O RING 17		1				
052	458433-7	CHANGE LEVER		1				
053	233279-0	COMPRESSION SPRING 4		1				
054	458434-5	LOCK BUTTON		1				
055	211087-9	BALL BEARING 6200DDW		1				
056	519526-6	ROTOR ASSY		1				
D10		INC. 55,57						
057	211022-7	BALL BEARING 607ZZ		1				
058	266326-2	TAPPING SCREW 4X18		2				
059	458427-2	BAFFLE PLATE		1				
060	629356-8	STATOR		1				
061	458426-4	MOTOR HOUSING		1				
062	265695-8	H. S. H. BOLT M5X30 WITH WRM		4				
063	140A19-4	SWITCH CIRCUIT COMPLETE		1				
C10	810D46-0	SWITCH LABEL		1				
064	183R46-0	HANDLE SET		1				
C10	263005-3	RUBBER PIN 6		4				
C20	347379-1	KEY HOLDER		1				
D10		INC. 70						
065	620839-1	LED CIRCUIT		1				
066	266326-2	TAPPING SCREW 4X18		12				
067	458432-9	F/R CHANGE LEVER		1				
068	650710-5	SWITCH C3JW-4B		1				
069	620838-3	CONTROLLER		1				
070	183R46-0	HANDLE SET		1				
C10	263005-3	RUBBER PIN 6		4				
C20	347379-1	KEY HOLDER		1				
D10		INC. 64						
071	644809-6	TERMINAL		2				
072	857T84-7	DDG460 SERIAL NO. LABEL		1				
073	857T79-0	DDG460 NAME PLATE		1				
074	212193-3	NEEDLE CAGE 5810		3				
075	267010-2	FLAT WASHER 5		1				

Please order the parts with part number.

Print Date 23/12/2020

Model No.DDG460 CORDLESS EARTH AUGER

Položka	Číslo dílu	Popis	Změna	Množství	New/Old	Možnost 1	Možnost 2	Poznámka
076	127688-2	PIPE GRIP ASSEMBLY		1	*			
076-1	127688-2	PIPE GRIP ASSEMBLY	O	1	*			
076-2	127688-2	PIPE GRIP ASSEMBLY	O	1				
081	922673-8	H.S.H.BOLT M12X50 WITH WR		2				
082	922363-3	H.S.H.BOLT M6X40 WITH WR		2				
083	140W52-8	PIPE COMPLETE		1				
A01	922453-2	HEX.SOCKET HEAD BOLT M8X30		2				
A02	763251-3	CHUCK KEY S-13		1				
A03	783204-6	HEX. WRENCH 6		1				
A04	783207-0	HEX. WRENCH 10		1				
A05	783232-1	HEX. WRENCH 5		1				
A06	327684-2	ADAPTER A		1				
A09	327687-6	ADAPTER D		1				
A10D	***DC18RD	DC18RD TWO PORT FAST CHARGER		1				
D10		COMPO-PARTS						
A11D	197280-8	BATTERY BL1850B SET		2				
A12D	450128-8	BATTERY COVER		2				

Please order the parts with part number.

Print Date 23/12/2020