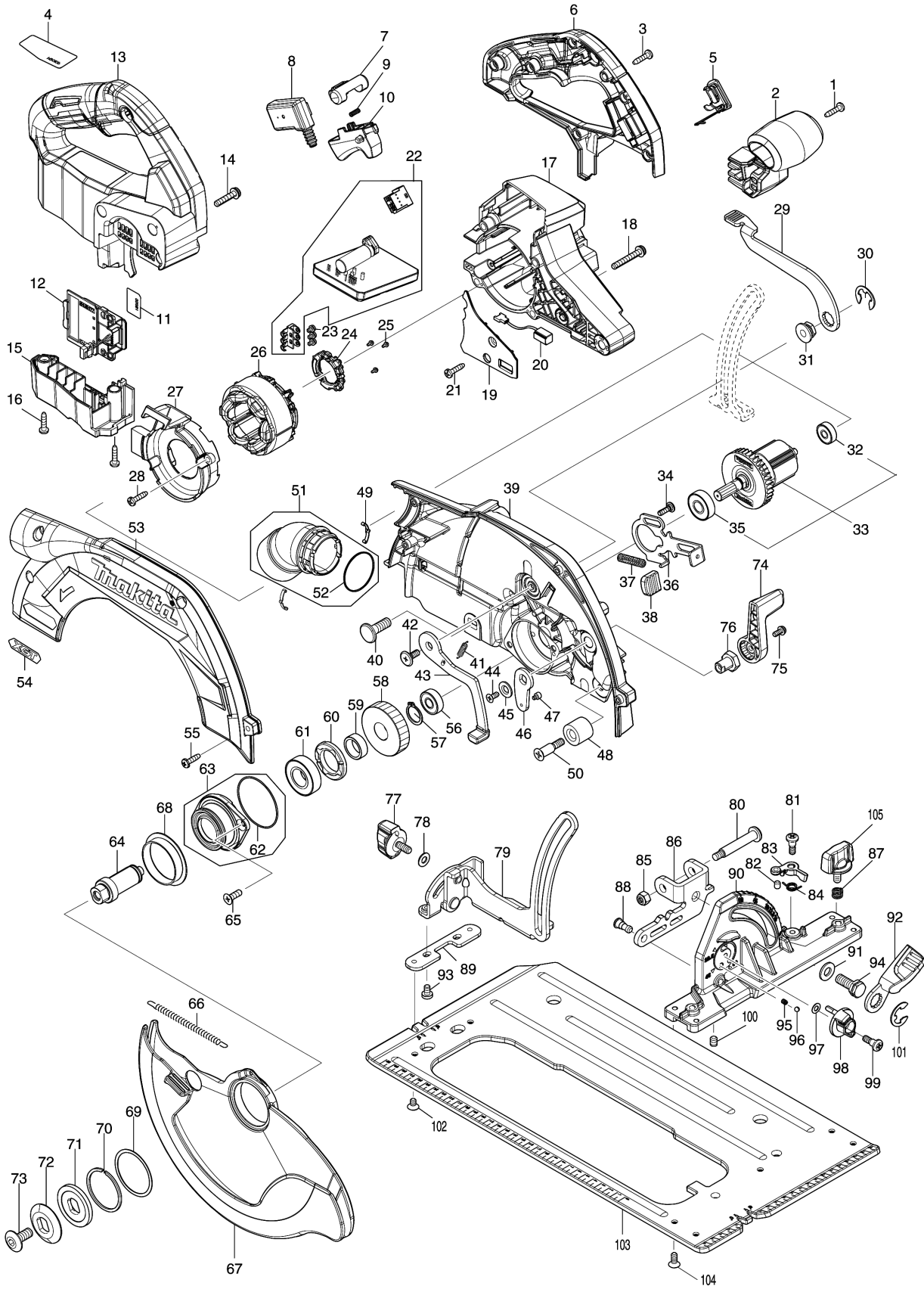


Model No.HS010G 235MM CORDLESS CIRCULAR SAW



Model No.HS010G 235MM CORDLESS CIRCULAR SAW

Položka	Číslo dílu	Popis	Změna	Množství	New/Old	Možnost 1	Možnost 2	Poznámka
001	266326-2	TAPPING SCREW 4X18		1				
002	413C21-5	FRONT GRIP		1				
003	266326-2	TAPPING SCREW 4X18		6				
004	8114R3-7	HS010G NAME PLATE		1				
005	140F99-0	CAP COMPLETE		1				
C10	213A05-9	O-RING16		1				
006	183U47-6	HANDLE SET		1				
C10	263005-3	RUBBER PIN 6		1				
D10		INC. 13						
007	419704-7	LOCK OFF BUTTON		1				
008	650008-0	SWITCH C3XB-1LPSPM		1				
009	231433-0	COMPRESSION SPRING 4		1				
010	413C24-9	SWITCH LEVER		1				
011	8114R5-3	HS010G SERIAL NO. LABEL		1				
012	632P65-6	TERMINAL UNIT		1				
013	183U47-6	HANDLE SET		1				
C10	263005-3	RUBBER PIN 6		1				
D10		INC. 6						
014	911243-8	PAN HEAD SCREW M5X25		3				
015	141G16-9	TERMINAL HOUSING COMPLETE		1				
C10	263005-3	RUBBER PIN 6		1				
016	266326-2	TAPPING SCREW 4X18		2				
017	413C17-6	MOTOR HOUSING		1				
018	911258-5	PAN HEAD SCREW M5X35		4				
019	413C23-1	LIGHT COVER		1				
020	620936-3	LED CIRCUIT		1				
021	266326-2	TAPPING SCREW 4X18		1				
022	620H80-4	CONTROLLER		1				
023	652069-6	FLAT HEAD SCREW M3X6		3				
024	632R96-7	SENSOR UNIT		1				
025	652093-9	PAN HEAD SCREW M2X5		3				
026	629A40-1	STATOR		1				
027	413C22-3	BAFFLE PLATE		1				
028	266326-2	TAPPING SCREW 4X18		2				
029	271453-2	LEVER 132		1				
030	257953-6	BOW STOP RING E-12		1				
031	252262-8	COLLERED HEX. NUT M8		1				
032	210022-4	BALL BEARING 626DDW		1				
033	519721-8	ROTOR ASS'Y		1				
D10		INC. 32,35						
034	251529-1	+ PAN HEAD SCREW M4X14		1				
035	210059-1	BALL BEARING 6000DDW		1				
036	347676-5	SHAFT LOCK		1				
037	233084-5	COMPRESSION SPRING 6		1				
038	286039-9	CAP		1				

Model No.HS010G 235MM CORDLESS CIRCULAR SAW

Položka	Číslo dílu	Popis	Změna	Množství	New/Old	Možnost 1	Možnost 2	Poznámka
039	141G17-7	BLADE CASE COMPLETE		1				
C10	213434-0	O RING 26		1				
C20	263005-3	RUBBER PIN 6		1				
C30	8004T1-0	SCALE LABEL		1				
040	266396-1	FLATHEAD SQUARENECKBOLT M8X24		1				
041	232563-0	TENSION SPRING 4		1				
042	265A60-7	+ PAN HEAD SCREW M5X14		1				
043	162686-9	OPEN LEVER		1				
044	265135-6	+ COUNTERSUNK HEAD SCREW M4X10		1				
045	347577-7	WASHER 6		1				
046	347576-9	OPEN PLATE		1				
047	265A82-7	HEX. SOCKET HEAD SCREW M3X4		1				
048	262185-2	RUBBER SLEEVE8		1				
049	232674-1	LEAF SPRING		2				
050	251572-0	+ COUNTERSUNK HEAD SCREW M6X30		1				
051	136173-4	DUST NOZZLE ASS'Y		1				
D10		INC. 52						
052	213444-7	O RING 30		1				
053	312C12-2	BLADE CASE COVER		1				
054	8032A7-2	XGT LOGO LABEL		1				
055	266034-5	TAPPING SCREW CT 4X16		4				
056	210029-0	BALL BEARING 608ZZ		1				
057	961057-5	RETAINING RING S-17		1				
058	226934-1	HELICAL GEAR 46		1				
059	257451-0	RING 17		1				
060	285809-3	BEARING RETAINER 23-36		1				
061	210301-0	BALL BEARING 6003DDW		1				
062	213623-7	O RING 46		1				
063	136192-0	BEARING BOX ASS'Y		1				
D10		INC. 62						
064	327192-3	SPINDLE		1				
065	265034-2	+ COUNTERSUNK HEAD SCREW M5X16		2				
066	232562-2	TENSION SPRING 6		1				
067	312C14-8	SAFETY COVER		1				
068	459830-0	SPACER		1				
069	267337-0	FLAT WASHER 40		1				
070	257452-8	RETAINING RING (EXT) WR-40		1				
071	224360-8	INNER FLANGE 40		1				
072	224600-4	OUTER FLANGE 38		1				
073	265A59-2	HEX.SOCKET HEAD BOLT M8		1				
074	271451-6	LEVER 55		1				
075	911113-1	PAN HEAD SCREW M4X10 WITH WR		1				

Model No.HS010G 235MM CORDLESS CIRCULAR SAW

Položka	Číslo dílu	Popis	Změna	Množství	New/Old	Možnost 1	Možnost 2	Poznámka
076	252275-9	HEX. NUT M4-16		1				
077	265798-8	THUMB SCREW M6X14		1				
078	941151-9	FLAT WASHER 6		1				
079	162813-8	DEPTH GUIDE COMPLETE		1				
080	251220-1	+ PAN HEAD SCREW M6		1				
081	251370-2	+ PAN HEAD SCREW M5		1				
082	266264-8	H.S.SET SCREW(FLAT POINT)M5X6		1				
083	319239-7	STOPPER		1				
084	231665-9	TORSION SPRING 7		1				
085	252014-7	HEX. LOCK NUT M6-10		1				
086	347689-6	ANGULAR GUIDE		1				
087	233376-2	COMPRESSION SPRING 8		1				
088	256351-1	SHOULDER PIN 6-7		1				
089	347124-4	PLATE		1				
090	312C19-8	ANGULAR PLATE		1				
091	941201-0	FLAT WASHER 8		1				
092	271461-3	LEVER 56		1				
093	265B04-3	+ FLAT HEAD SCREW M5X8		2				
094	265B05-1	HEX. BOLT M8X20		1				
095	233314-4	COMPRESSION SPRING 4		1				
096	216008-6	STEEL BALL 4		1				
097	253811-4	FLAT WASHER 5		1				
098	412510-9	DIAL 27		1				
099	251370-2	+ PAN HEAD SCREW M5		1				
100	266208-8	H.S.SET SCREW(CUP POINT)M6X8		1				
101	257953-6	BOW STOP RING E-12		1				
102	912202-5	COUNTERSUNK HEAD SCREW M5X8		2				
103	347688-8	BASE		1				
104	912212-2	COUNTERSUNK HEAD SCREW M5X12		5				
105	265798-8	THUMB SCREW M6X14		1				
A01	164367-1	GUIDE RULE		1				
A02	E-01909	TCT BLADE 235X24T WOOD EFFICUT		1				
A03	783204-6	HEX. WRENCH 6		1				
A04B	***DC40RA	DC40RA FAST CHARGER		1				
D10		COMPO-PARTS						
A05B	821866-3	PLASTIC CARRYING CASE		1				
C10	162271-8	LATCH		2				
C20	453229-1	THUMB SCREW M12X8		1				
A06B	412393-7	BATTERY COVER		2				
A07B	191L47-8	BATTERY BL4050F SET		2				

Please order the parts with part number.

Print Date 1/4/2022