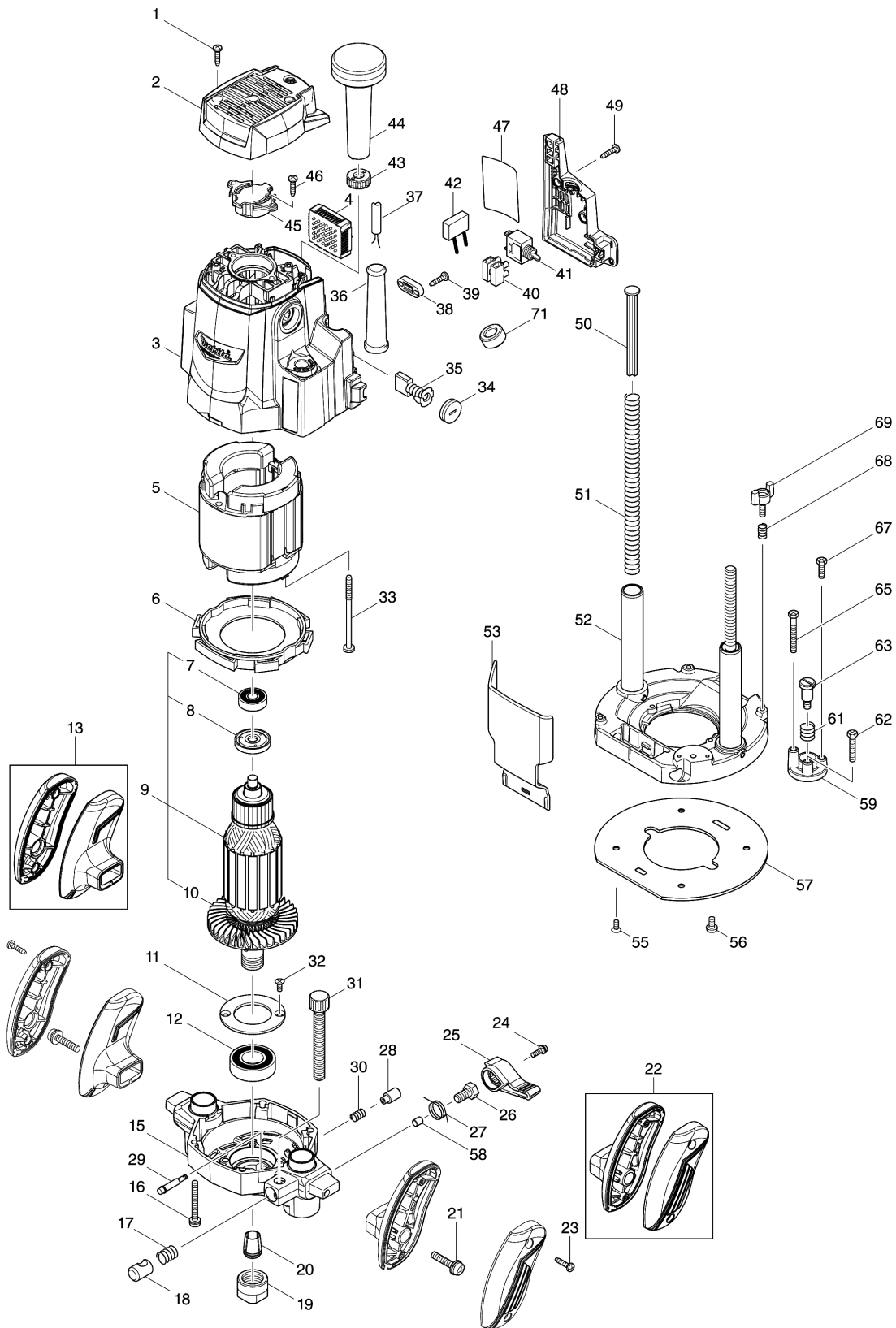


# Model No.M3602 ROUTER



Model No.M3602 ROUTER

Položka	Číslo dílu	Popis	Změna	Množství	New/Old	Možnost 1	Možnost 2	Poznámka
001	266326-2	TAPPING SCREW 4X18		2				
002	413B12-0	TOP COVER		1				
003	141F96-9	MOTOR HOUSING COMPLETE		1				
C10	643564-7	BRUSH HOLDER		2				
C20	816811-1	SCALE LABEL		1				
004	620H00-8	CONTROLLER		1				
005	594784-5	FIELD ASS'Y 240V		1				
C10	654451-5	RING TERMINAL		2				
C20	654486-6	PARALLEL SPLICE		2				
006	418486-8	BAFFLE PLATE		1				
007	211381-9	BALL BEARING 629ZZ		1				
008	681666-1	INSULATION WASHER		1				
009	517884-4	ARMATURE ASS'Y 240V		1				
D10		INC. 7,8,10						
010	240069-4	FAN 83		1				
011	285711-0	BEARING RETAINER 50		1				
012	211335-6	BALL BEARING 6004ZZ		1				
013	187512-1	GRIP L SET		1				
015	141868-6	MOTOR BRACKET COMPLETE		1				
016	911268-2	PAN HEAD SCREW M5X45		4				
017	233397-4	COMPRESSION SPRING 11		1				
018	324424-9	HALF NUT		1				
019	763629-0	COLLET NUT		1				
020	763628-2	COLLET CONE 12MM		1				
021	911353-1	PAN HEAD SCREW M6X30		2				
022	187515-5	GRIP R SET		1				
023	266326-2	TAPPING SCREW 4X18		4				
024	265099-4	PAN HEAD SCREW M4X14		1				
025	454033-1	LOCK LEVER		1				
026	266335-1	SET BOLT M8X16		1				
027	231670-6	TORSION SPRING 16		1				
028	286270-7	CAP 11		1				
029	256482-6	SHOULDER PIN 6		1				
030	233396-6	COMPRESSION SPRING 7		1				
031	265759-8	THUMB SCREW M10X80		1				
032	265135-6	+ COUNTERSUNK HEAD SCREW M4X10		2				
033	266328-8	TAPPING SCREW 5X80		2				
034	643700-5	BRUSH HOLDER CAP 7-18		2				
035	191953-5	CARBON BRUSH CB-203		1				
036	682574-9	CORD GUARD 10-90		1				
037	665852-2	POWER SUPPLY CORD 1.0-2-2.0		1				
038	687124-5	STRAIN RELIEF		1				
039	266326-2	TAPPING SCREW 4X18		2				
040	654531-7	TERMINAL BLOCK 2P		1				

Please order the parts with part number.

Print Date 20/1/2022

Model No.M3602 ROUTER

Položka	Číslo dílu	Popis	Změna	Množství	New/Old	Možnost 1	Možnost 2	Poznámka
041	651066-9	SWITCH ST115A-TB-S1		1				
042	645238-6	NOISE SUPPRESSOR		1				
043	418484-2	NYLON NUT M10		1				
044	153764-6	KNOB 50 COMPLETE		1				
045	317747-2	BEARING BOX		1				
046	266326-2	TAPPING SCREW 4X18		2				
047	8111T9-1	M3602 NAME PLATE		1				
048	413B13-8	SWITCH COVER		1				
049	266326-2	TAPPING SCREW 4X18		2				
050	418492-3	POLE		1				
051	233456-4	COMPRESSION SPRING 11		2				
052	141867-8	BASE COMPLETE		1				
053	454032-3	CHIP DEFLECTOR		1				
055	265135-6	+ COUNTERSUNK HEAD SCREW M4X10		4				
056	265133-0	+ BINDING HEAD SCREW M5X10		2				
057	454026-8	BASE PLATE		1				
058	324425-7	LOCK PIN		1				
059	317748-0	STOPPER		1				
061	233398-2	COMPRESSION SPRING 12		1				
062	265587-1	+HEX. BOLT M5X20		1				
063	251470-8	- FLAT HEAD SCREW M6		1				
065	265587-1	+HEX. BOLT M5X20		1				
067	265586-3	+HEX. BOLT M5X14		1				
068	233396-6	COMPRESSION SPRING 7		2				
069	265761-1	THUMB SCREW M5X16		2				
A01	196202-5	TRIMMER GUIDE SET		1				
C10	265760-3	THUMB SCREW M5X10		2				
C20	941101-4	FLAT WASHER 5		2				
A03	193894-1	DUST COVER SET		1				
A04	345387-6	TEMPLET GUIDE 16		1				
A05	763811-1	COLLET SLEEVE 6		1				
A06	763812-9	COLLET SLEEVE 8		1				
A07	781034-9	WRENCH 8-24		1				
A08	165718-1	STRAIGHT GUIDE		1				
A09	733236-3	STRAIGHT BIT 12		1				
A10	415412-8	DUST NOZZLE		1				

Please order the parts with part number.

Print Date 20/1/2022