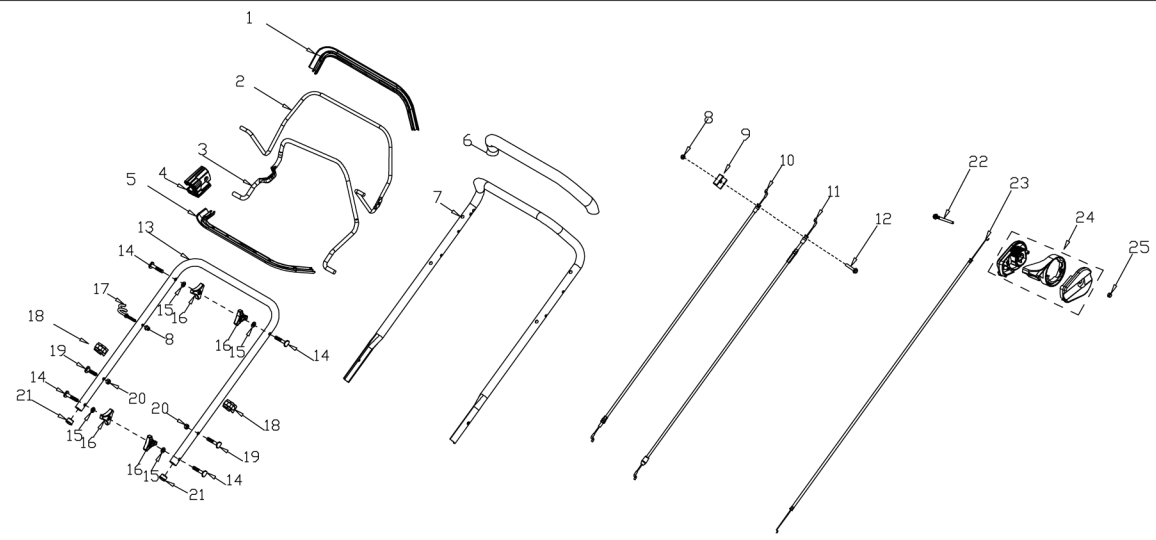
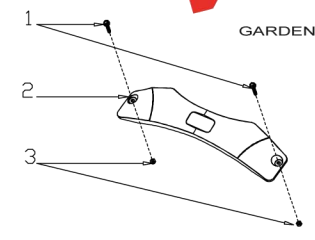


A

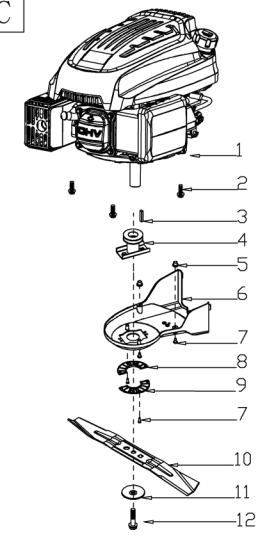


B

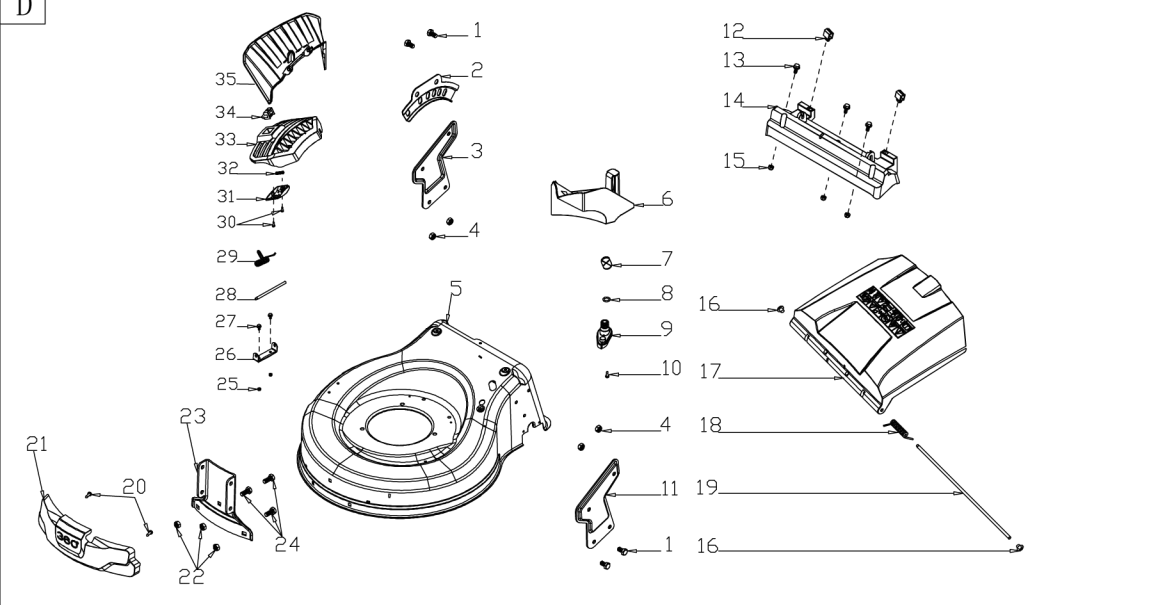


VeGA 51 HWTW 6in1 2021

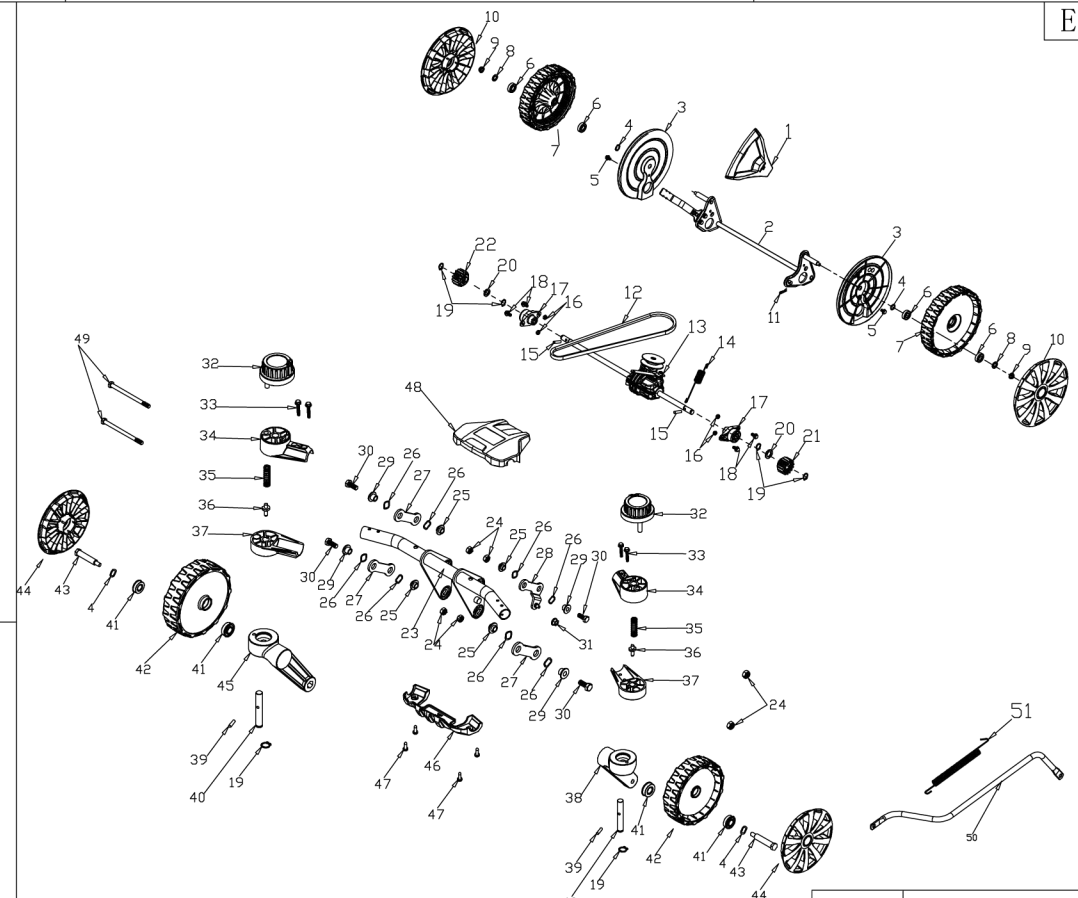
C



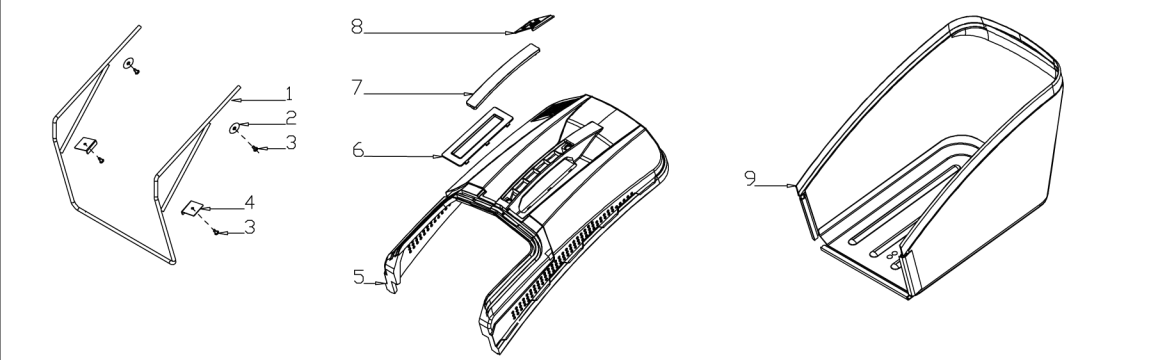
D



E



F



MODEL	TW51SHL-T
NO.2001003	

No.	ID zboží	Název
A	Part A	
A-1	G33Q0000110	Plastic Decoration
A-2	G3375000001	Clutch Lever
A-3	G3354000001	Brake Lever
A-4	G33XW0000000	Limiting Stopper
A-5	G33Q0000111	Plastic Decoration
A-6	G3320000000	Foam Pipe
A-7	G333F400001	Upper Handle
A-8	B2011B00000	Nut
A-9	G339X300000	Cable Fixing Clamp
A-10	G339XXA0000	Brake Cable
A-11	G339XY90000	Clutch cabel
A-12	B1066B06032	Bolt
A-13	G33B4000001	Lower Handle
A-14	B1088W08050	Bolt
A-15	B5019W00000	Flat Washer
A-16	G33C1100011	Knob
A-17	G33K0000000	Rope Guide
A-18	G33H2000000	Cable Support
A-19	B1087W08032	Bolt
A-20	B2009W00000	Nut
A-21	G33J0000000	Handle Plug
A-22	B1048B06048	Bolt
A-23	G53S0000300	Cable
A-24	TSHZC000010	0
A-25	B2002B00000	Nut

No.	ID zboží	Název
B	Part B	
B-1	B1065B06030	Bolt
B-2	G33E1000010	Handle Panel
B-3	B2011B00000	Nut

No.	ID zboží	Název
C	Part C	
C-1	Y55DCP00000	Engine
C-2	B1077W08025	Bolt
C-3	BE001W00000	Flat Key
C-4	G34AWY00000	Blade adapter
C-5	G22K0000000	Screw Cap
C-6	G623N000000	Belt Cover
C-7	B3022W00000	Screw
C-8	G323G000000	Belt Cover Plate
C-9	G323H000000	Belt Cover Plate
C-10	G5510000000	20" Blade
C-11	G3520000000	Blade Washer
C-12	B1001B00032	Blade Bolt
C-13	Y2A14000013	Engine cover
C-14	B3034B00000	Screw
C-15	Y28E0000000	Filtering Net Duct of Fuel
C-16	Y28K0000000	Oil Pipe Circlip I

No.	ID zboží	Název
D	Part D	
D-1	B1036W08015	Bolt
D-2	G54BD000000	Height Adjustment Plate
D-3	G42B0000000	Right Bracket
D-4	B2028W00000	Nut
D-5	GE213000004	Deck
D-6	G46M0000000	Mulching Plug
D-7	G52E0000000	Cable Sleeve
D-8	BD001B00000	O ring
D-9	G62D0000000	Washing Linker
D-10	B3044W00000	Screw
D-11	G42C0000000	Left Bracket
D-12	G32J0000000	Rear Cover Support
D-13	B1059W06014	Bolt
D-14	G42A0000000	Rear Cover Pedestal
D-15	B2008W00000	Nut
D-16	G32K0000000	plug
D-17	G46B0000010	Rear Cover
D-18	G36J0000000	Rear Cover Spring
D-19	G36E0000000	Rear Cover Shaft
D-20	B3034W00000	Screw
D-21	GE2FB000010	Guard?board
D-22	B2009W00000	Nut
D-23	GE2TGGDB001	Fixed plate
D-24	B1010W08015	Bolt
D-25	B2007W00000	Nut
D-26	G6250000000	Side Discharge Bracket
D-27	B1053W05012	Bolt
D-28	G3260000000	Side Discharge Cover Shaft
D-29	G3271000000	Side Discharge Cover Spring
D-30	B3036W00000	Screw
D-31	G328CX00000	Cover Plate
D-32	G328D000000	Spring
D-33	G428AX00000	Side Discharge cover
D-34	G328B000000	Lock
D-35	G4290000000	Side-Discharge Board

No.	ID zboží	Název
E	Part E	
E-1	G4420000013	Height Adjustment Handle
E-2	GE45H000000	Rear Wheel Shaft
E-3	G54AD000000	Inner Wheel Cover
E-4	B6009B00000	Spring Washer
E-5	B1058W06012	Bolt
E-6	B0014W00000	Bearing
E-7	G54N1000000	11" wheel
E-8	B5031W00000	Flat Washer
E-9	B2017W00000	Nut
E-10	G54X200000A	11" Outer Wheel Cover
E-11	BB004W00000	Split Pin
E-12	BA001B00000	Belt
E-13	G34AP201800	Gearbox
E-14	G34AJ000200	Spring
E-15	G34AN000000	Pin
E-16	B2007W00000	Nut
E-17	G34DV000000	Shaft Sleeve
E-17-1	B0021W00000	Bearing
E-18	B1053W05012	Bolt
E-19	B9006B00000	Lock Ring
E-20	B5033W00000	Flat Washer
E-21	G54AL000000	Left Gear
E-22	G54AM000000	Right Gear
E-23	GE450000000	Connecting rod
E-24	B2028W00000	Nut
E-25	GE2TJCT1000	Bush
E-26	B5054000000	Flat Washer
E-27	GE2TGLGB000	plate
E-28	GE2TGLGXB00	plate
E-29	GE2TJCT2000	Bush
E-30	B1077W08025	Bolt
E-31	B2016W00000	Nut
E-32	GE4XL000013	Lock Knob
E-33	B3008B05035	Screw
E-34	GE4SG000000	upper cover of Lock
E-35	GE4YSH00000	Spring
E-36	GE4XWX00000	Pin
E-37	GE4XG000000	lower cover of Lock
E-38	GE4ZJLZC000	holder
E-39	B7007W00000	Pin
E-40	GE4XZZ00000	rotating shaft
E-41	B0019W00000	Bearing
E-42	G34H3000000	8" Wheel
E-43	GE4LZ000000	Wheel axle
E-44	G34T200000A	8" Outer Wheel Cover
E-45	GE4ZJRZC000	Holder
E-46	GE2QLXG0013	Lower cover

E-47	B3034W00000	Screw
E-48	GE2QL000013	upper cover
E-49	B1113W08130	Bolt
E-50	GE41H000000	Connecting Rod
E-51	G34AX100000	Height adjustment Spring

No.	ID zboží	Název
F	Part F	
F-1	G4661200000	Metal Bracket
F-2	B5032W00000	Flat Washer
F-3	B3022W00000	Screw
F-4	G4661300000	fixed plate
F-5	G4661110010	Plastic Cover
F-6	G3661120010	Cover Plate
F-7	G4661130013	Handle cover
F-8	G4661120013	Indicated Board
F-9	G1901000000	Fabric bag