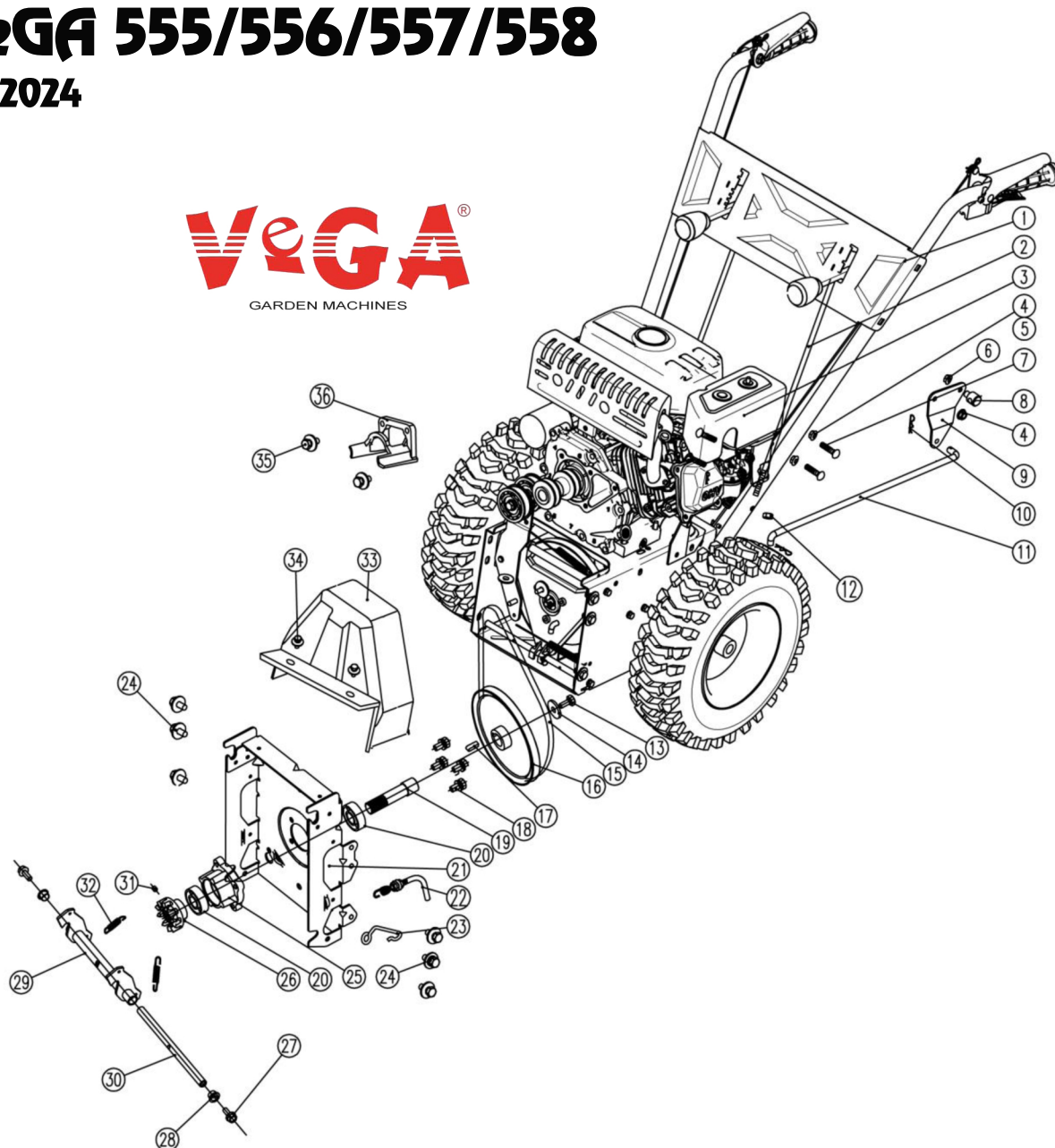


VeGA 555/556/557/558

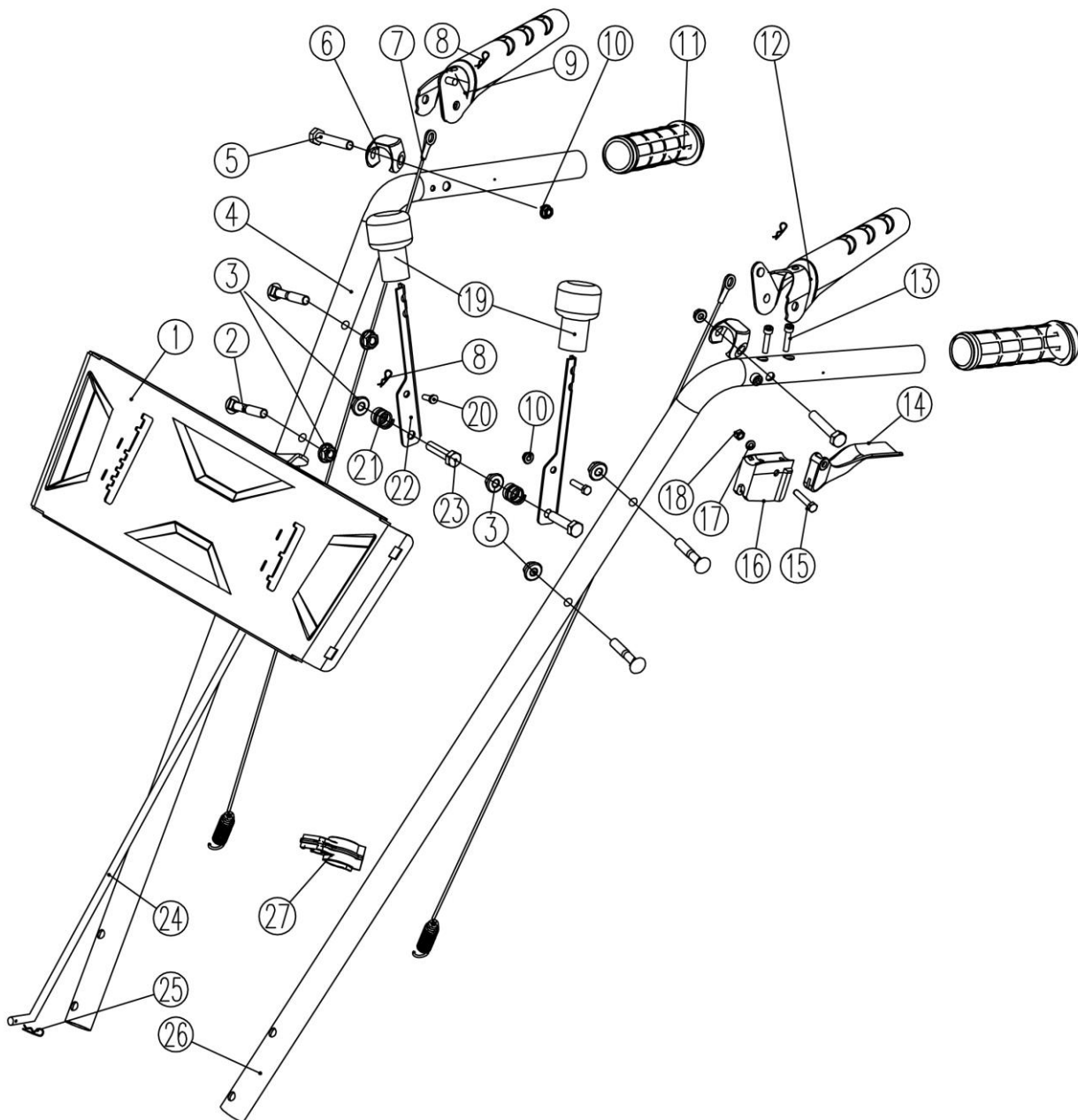
r.v. 2024



No.	ID zboží	Název
1	50555KC21-03G	handle assembly
2	50555KCB31-02	connecting rod
3	50555KC21-02F	transmission assembly
4	50555GB/T899.1-2000	hex locking nut M8
5	50555S07*00447	washer 8x22x2
6	50555GB/T6183.1-2000	hex locking nut M6
7	50555S07*00232	T bolt M8x42
8	50555KCB31-03	pin with hole
9	50555KCB31-04	steering plate
10	50555KC55-29	B pin
11	50555KCF2-1-01A	steering level
12	50555GB/T41-2016	nut M10
13	50555GB/T5780-2000	hex bolt M8x25(left rotate)

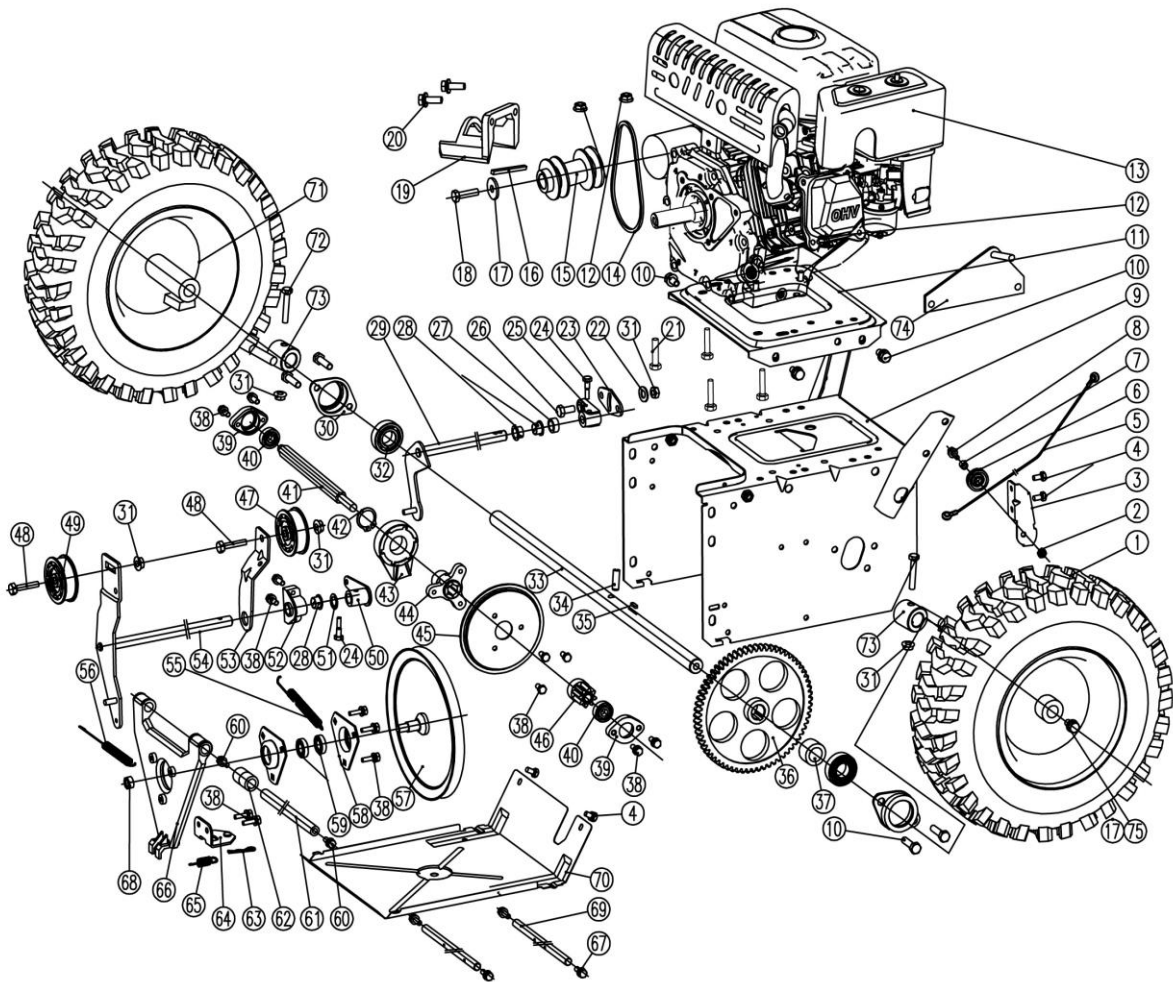


14	50555GB/T5287-2002	big washer 8
15	50555V10x705RLS	belt
16	50555KC21-01-06	belt pulley
17	50555GB/T1095-2003	A parallel key 6x6x20
18	50555GB/T9074.17-200	boltM8x16 GB/T9074.17-2002
19	50555KCF2-1-05	belt pulley short shaft
20	50555GB/T276-1994	ball bearing 6203-2RZ
21	50555KCF2-1-06A	bearing fixed plate assembly
22	50555KC30-02-06C	lock control cable
23	50555KCF2-1-07	connecting shaft
24	50555GB/T6563-1986	screw M8x16
25	50555KCB31-09	bearing housing
26	50555KCF2-1-08	protruded bear bush
27	50555GB/T9074.13-198	bolt M8x25 GB/T9074.13-1988
28	50555KC90-02-07	bushing
29	50555KCF2-1-19	quick lock assembly
30	50555KCF2-1-21	limitation shaft
31	50555GB/T78-2000	screw M8x6
32	50555KCF2-1-20	reset spring
33	50555KCF2-1-18	belt cover
34	50555GB/T9074.17-200	bolt M6x25 GB/T9074.17-2002
35	50555GB/T9074.17-200	bolt M8x25 GB/T9074.17-2002
36	50555KCD24-11	belt rod



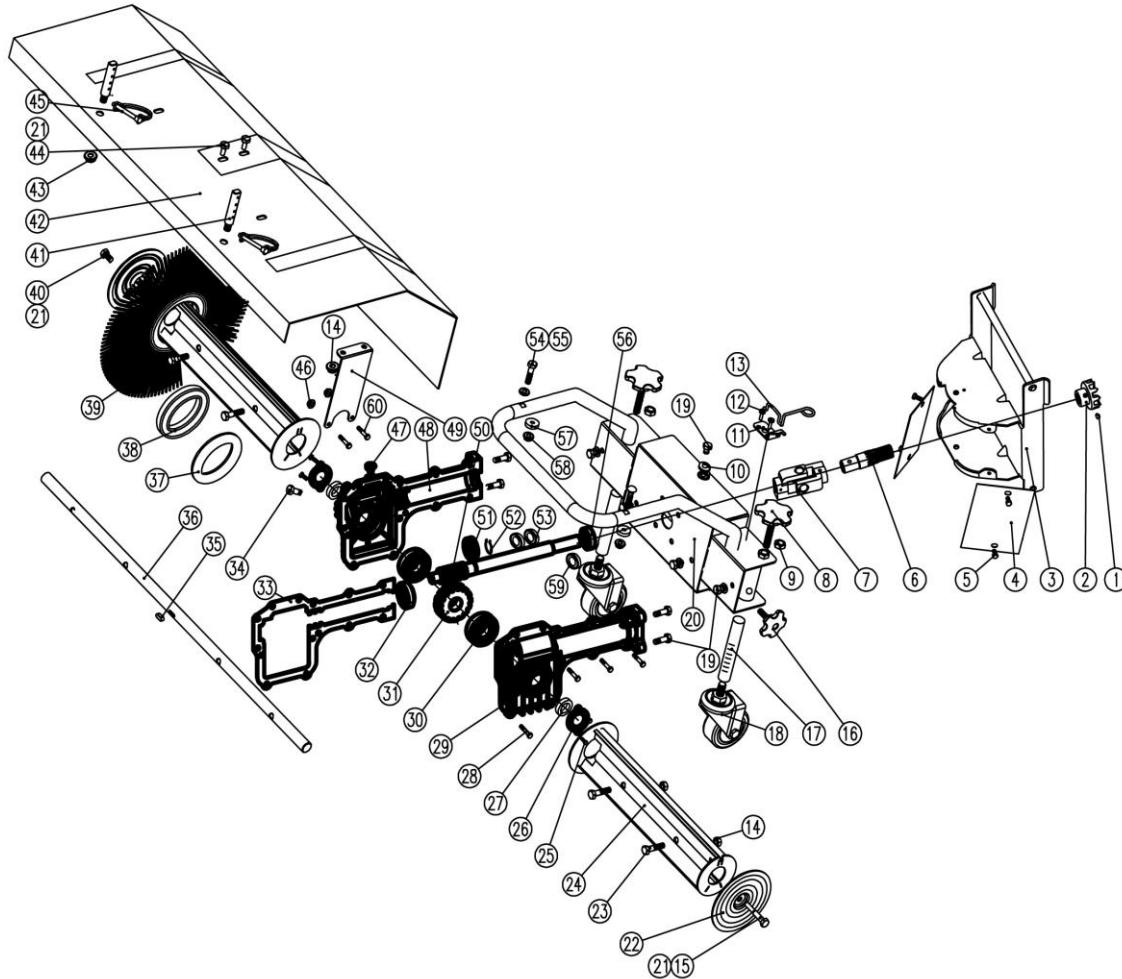
No.	ID zboží	Název
1	50555KCB31-01	panel
2	50555GB/T12-1988	bolt M8x40
3	50555GB/T6183.1-2000	hex locking nut M8
4	50555KC21-03-02BR	right handle
5	50555KC21-03C-2	handle screw
6	50555KC21-03C-08	handle pad
7	50555KC21-03C-01	long cable
8	50555S03*00493	B pin
9	50555KC21-03C-04A	right control handle
10	50555GB/T6183.1-2000	hex locking nut M6
11	50555KC21-03C-05	handgrip
12	50555KC21-03C-06A	left control handle
13	50555GB/T70.1-1985	screw M5x15
14	50555KC30-03-08	lock control lever

15	50555KC30-03-06	handle bolt
16	50555KC30-03-05	lever seat
17	50555GB/T95-2002	falt washer 6
18	50555GB/T889.1-2000	hex locking nut M6
19	50555KCM24-04(M4)-2	handgrip
20	50555KC55-03-06	cable pin
21	50555KC55-03-04	preset spring
22	50555KC21-03-08	hand lever
23	50555GB/T5780-2000	hex bolt M8x35
24	50555KCB31-33A	starting connecting rod
25	50555KC55-29	circlip
26	50555KC21-03-02CL	left handle
27	50555KC30-20	cable holder



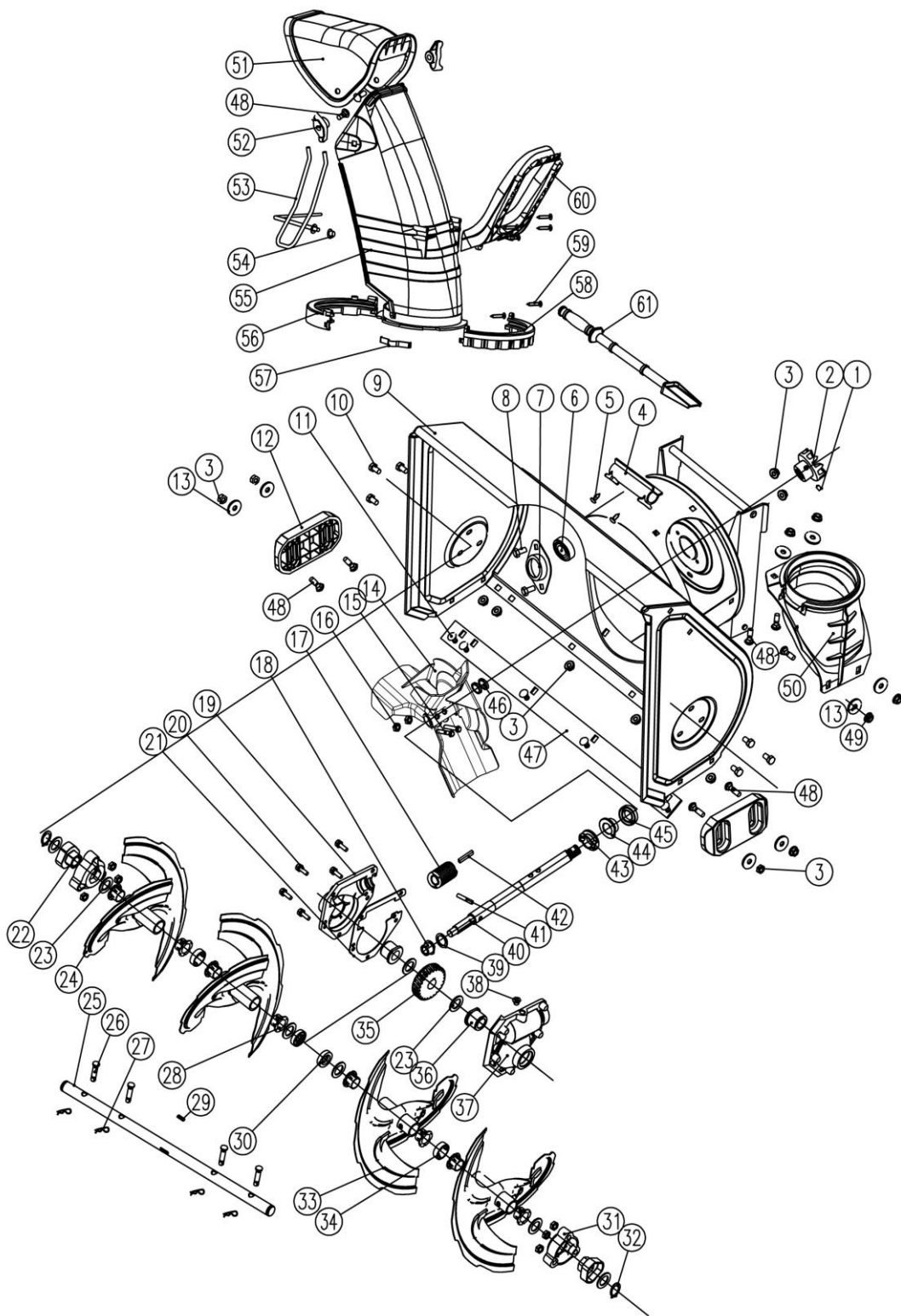
No.	ID zboží	Název
1	50555(13)4.10-6	tyre
2	50555GB/T899.1-2000	nut M6
3	50555KCM24-02C-19	pulley seat
4	50555GB/T9074.13-198	bolt M6x12 GB/T9074.13-1988
5	50555KC21-02C-01	short cable
6	50555KC40-28	pulley
7	50555KC21-02-2	bushing
8	50555GB/T5780-2000	bolt M6x20
9	50555KC21-02C-02A	transmission box
10	50555GB/T6563-1986	screw M8x16
11	50555KC21-02C-03	engine seat
12	50555DIN6927	nut M8
13	50555LC170F	engine
14	505553LXP825	belt 3LXP825
15	50555KC21-02C-04A	drive pulley
16		flat key 4.7*4.7*50
17	50555GB/T5287-2002	washer 8
18	50555GB/T5786-2000	bolt M8x1x30
19	50555KCD24-11	belt rod
20	50555GB/T9074.17	bolt M8x25
21	50555GB/T5780-2000	bolt M8x40
22	50555GB/T95-2002	washer 8
23	50555KC21-02-05	gear plate

24	50555GB/T9074.17-200	bolt M6x20 GB/T9074.17-2000
25	50555KC21-02-06A	gear connector
26	50555GB/T5780-2000	bolt M8x16
27	50555KC21-02-34	bushing
28	50555KC90-02-07	plastic sleeve
29	50555KC55-02-05	shift fork
30	50555KC90-02-11	bearing seat
31	50555GB/T899.1-2000	nut M8
32	50555GB/T276-1997	bearing 6304
33	50555KCF2-1-04	drive shaft
34	50555GB/T879.2-2000	pin 6x30
35	50555GB/T1905-2003	flat ket 6*6*22
36	50555KC21-02C-07	big gear
37	50555KC21-02C-08	sleeve
38	50555GB/T9074.13-198	bolt M6x16 GB/T9074.13-1988
39	50555KC21-02-33	inner bearing seat
40	50555GB/T894.1-1986	circlip 25
41	50555KC21-02-24	sexishaft
42	50555GB/T894.1-1986	circlip 25
43	50555KC21-02-13	shift bearing
44	50555KC21-02-12B	rubber ring seat
45	50555KC21-02-11A	rubber ring
46	50555KC21-02-25	gear
47	50555KC55-02-21A	small tension pulley
48	50555GB/T5780-2000	bolt M8x30
49	50555KC55-02-21	small tension pulley
50	50555KC30A-02-31	tension connector
51	50555GB/T955-1987	washer 12
52	50555KC21-02C-09	fixing plate
53	50555KC30A-02A-4	small tension plate
54	50555KC21-02C-11	big tension plate
55	50555KC90-02-15	spring
56	50555KC21-02C-12	brake spring
57	50555KC21-02C-13	belt pulley
58	50555KC90-02-12	triangle bearing seat
59	50555GB/T276-1997	bearing 6002
60	50555GB/T9074.13-198	bolt M8x16 GB/T9074.13-1988
61	50555KC90-02-31	support rod
62	50555KC55-02-10	bushing
63	50555S03*00493B	B pin 1.5*25
64	50555KC21-02C-14	connecting plate
65	50555KC21-02C-17	reset spring
66	50555KC21-02C-15	friction disc support
67	50555GB/T6563-1986	bolt M6x16
68	50555GB/T899.1-2000	nut M12
69	50555KC30A-02-30	support rod
70	50555KC21-02C-16A	bottom plate
71	50555KCF2-1-02	rim
72	50555GB/T5780-2000	bolt M8x45
73	50555KCF2-1-03	rim set part
74	50555KCB31-05B	direction fixing plate
75	50555GB/T5780-2000	bolt M8x20



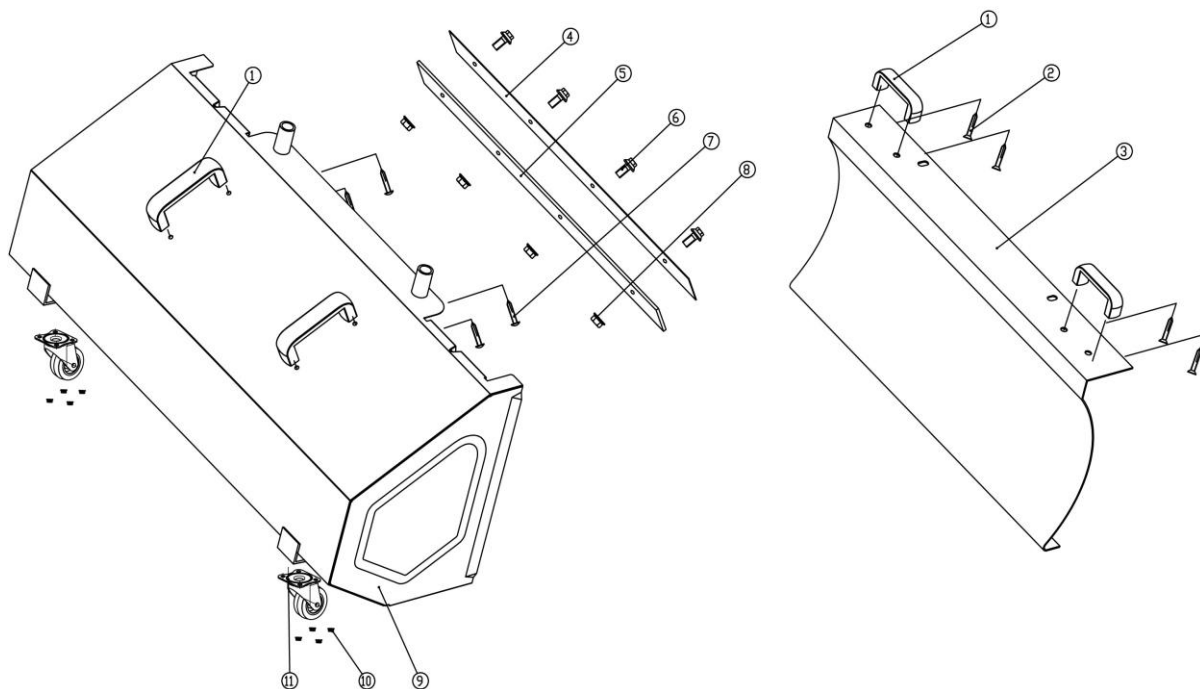
No.	ID zboží	Název
1	50555GB/T78-2000	locking screw M8x16
2	50555KCF2-2-01A	concave gear bush
3	K50555CF2-2-02A	sweeper quick connect seat
4	50555KCB31-07	plate
5	50555GB/T6563	hex locking screw M6x12
6	50555KCF2-2-03A	cardan short shaft
7	50555KCF2-2-04	cardan
8	50555KCB31-39	screw M10
9	50555GB/T41-2000	hex nut M10
10	50555KC55-02-20	small tension pulley pad
11	50555KCF2-2-08	seat for rod
12	50555GB/T818-2000	screw M5x12
13	50555KCF2-2-07	rod
14	50555GB/T889.1	hex locking nut M8
15	50555GB/T5780-2000	hex bolt M8x25 (left rotate)
16	50555KCB31-40	screw M8
17	50555KCB31-11B	universal wheel shaft
18	505553"	universal wheel
19	50555GB/T9074.17	hex bolt M8x20(assembly)
20	50555KCB31-12B	worm housing fixed plate
21	50555GB/T96.2	big washer 8

22	50555KCB31-13	limited pad
23	50555GB/T5780-2000	hex bolt M8x35
24	50555KCB31-14D	brush bracket 600
25	50555GB/T818-2000	screw M5x10
26	50555KCB31-37	oil cover
27	50555GB13871	FW out sealing ring 22x30x7
28	50555GB/T9074.17	hex bolt M6x20
29	50555KCB31-15B	worm housing(right)
30	50555KCB31-36	worm housing bearing
31	50555KCB31-16	worm gear
32	50555GB/T294-1994	bearing 30302
33	50555KCB31-17B	paper washer
34	50555GB/T5787-1987	hex bolt M10x15
35	50555GB/T1096	A parallel key 6x6x18
36	50555KCB31-18A	tramission shaft
37	50555KCB31-41	washer
38	50555KCB31-19-1	brush pad
39	50555KCB31-19	brush
40	50555GB/T5780-2000	hex bolt M8x25
41	50555KCB31-20	connector
42	50555KCB31-21AA	front brush cover
43	50555GB/T889.1-2000	hex nut M10
44	50555GB/T5780-2000	hex bolt M8x16
45	505550819-10	pin 6x40
46	50555GB/T899.1	hex nut M6
47	50555CU0807	venting plug 8
48	50555KCB31-22B	worm housing (left)
49	50555KCB31-23B	strut plate with brush cover
50	50555KCF2-2-06A	worm shaft
51	50555GB/T301-1995	ball bearing 51104
52	50555GB894.1-86	circlip 20
53	50555GB13871	sealing ring ϕ 20X ϕ 32X7
54	50555GB/T5780-2000	hex bolt M8x50
55	50555S07*00447	washer 8x22x2
56	505556003-2RZ	ball bearing
57	50555KC55-04	plastic nut seat
58	50555GB/T6183.1-2000	hex locking nut M8
59	50555GB13871	sealing ring ϕ 17X ϕ 30X7
60	50555GB/T5780-2000	hex bolt M6x25



No.	ID zboží	Název
1	50555GB/T78-2000	hex locking screw M8x8
2	50555KCF2-2-01A	concave gear bush
3	50555GB/T889.1-2000	nut M8
4	50555KC55-01-21	shovel support
5	50555GB/T845-1985	self tapping screw ST4.2x9.5-F
6	50555GB/T276-1994	ball bearing 6004
7	50555KCM24-02C-23	bearing seat
8	50555GB/T6563-1986	bolt M8x16
9	50555KCF2-3-01C	housing assembly

10	50555GB/T6563-1986	bolt M8x25
11	50555GB/T12-1988	bolt M8x16
12	50555KC26-01-02	skid shoe
13	50555GB/T96.2-2002	big washer 8
14	50555KCM24-01C-06	fan
15	50555GB/T70.1-2000	bolt M6x35
16	50555GB/T889.1-2000	jam nut M6
17	50555KCM22B-01-4	worm head
18	50555KC55-01-16	bushing 2
19	50555KCD24-01-07-01	worm case left
20	50555GB/T9074.17	bolt M6x20
21	50555KCD24-01-07-05	paper washer
22	50555KCD24-01-02	side bearing
23	50555KCD24-01-01	washer 31x19.5x1.8
24	50555KCM24-01-08C	left auger
25	50555KCM22B-01-6A	output shaft
26	50555KC21-01-03	safety bolt
27	50555KC55-29	B pin
28	50555KC55-01-06	drive shaft sleeve
29	50555GB/T1096-1979	round head flat key 6*16
30	50555GB13871-1992	seal ring FB19x30
31	50555KCM22B-01-05A	bearing seat
32	50555GB/T894.1-1986	circlip 10
33	50555KCM24-01-13C	right auger
34	50555KCM22B-01-11	bushing 10
35	50555KCD24-01-07-02	worm
36	50555KC55-01-09A	output shaft sleeve ϕ 19
37	50555KCD24-01-07-07	worm case right
38	50555KCD24-01-07-08	grease plug
39	50555KCD24-01-07-06	bushing 26x19.5x1.8
40	50555KCF2-3-02A	worm shaft
41	50555GB/T119-2000	pin 6x32
42	50555GB/T1096-1979	flat key 5x5x35
43	50555KCD24-01-07-04	circlip for worm shaft
44	50555KC55.01-19	worm shaft sleeve 1
45	50555GB13871-1992	seal ring FB20x35x7
46	50555GB/T848-2002	flat washer 20x30x3
47	50555KCM22A-01-03	shave plate
48	50555GB/T12-1988	bolt M8x20
49	50555DIN6927	nut M8
50	50555KCM24-01C-07	fixing seat for chute
51	50555KCM22A-15	chute cap
52	50555KC55-25	plastic nut
53	50555KCM22A-20	safty fence
54	50555KCW-04	cap 6
55	50555KCM22A-16	chute
56	50555KCM22A-17	chute set 1
57	50555KCM22A-18	spring
58	50555KCM22A-19	chute set 2
59	50555GB/T845-1985	screw ST4.2x16
60	50555KCM22A-14	chute handle
61	50555KC55-24	shovel



No.	ID zboží	Název
1	505551106234	black handle
2	50555GB/T846-1985	screw ST4.2x16
3	50555KCB31-29B	push plate
4	50555KCB31-28B	plate
5	50555KCB31-30B	rubber plate
6	50555GB/T5787-1986	hex bolt M8x16
7	50555GB/T845-1985	screw ST4.2x16-F
8	50555GB/T889.1-2000	hex locking bolt M8
9	50555KCB31-31B	collecting box
10	50555GB/T889.1-2000	hex locking nut M5
11	50555AD02000009	2" universal wheel