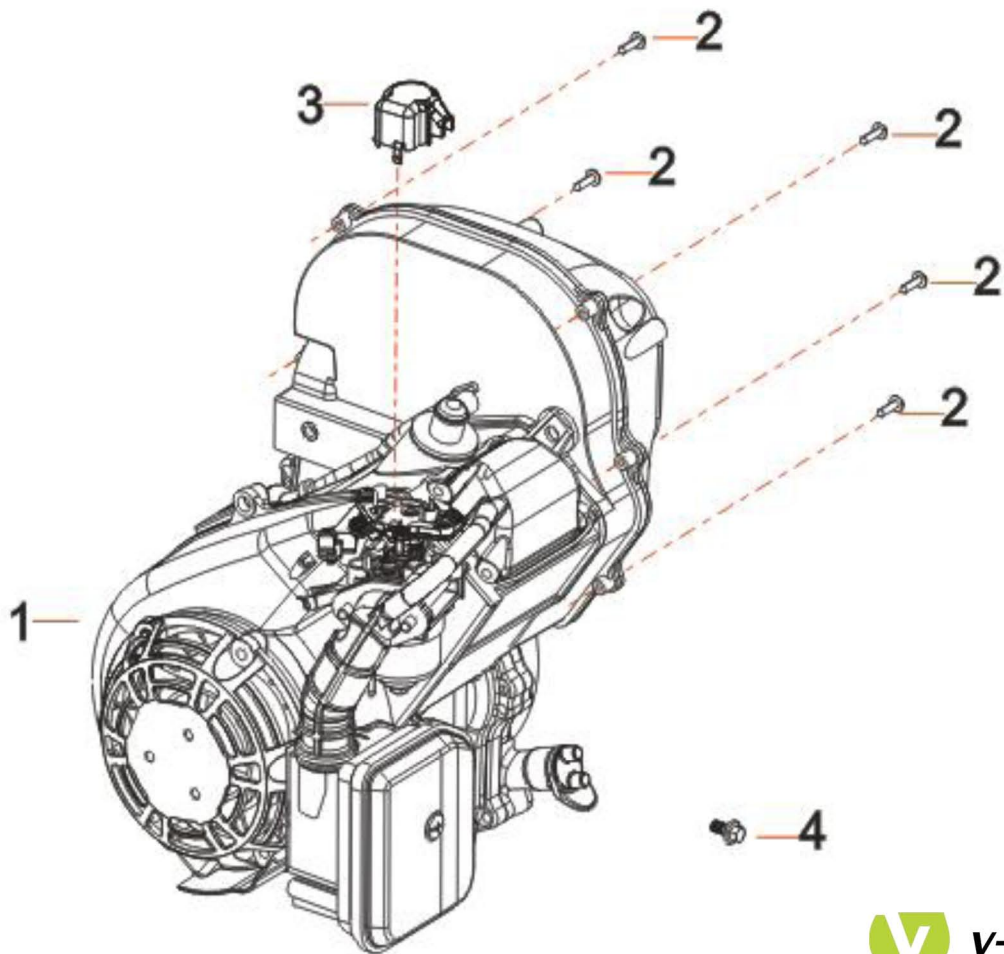
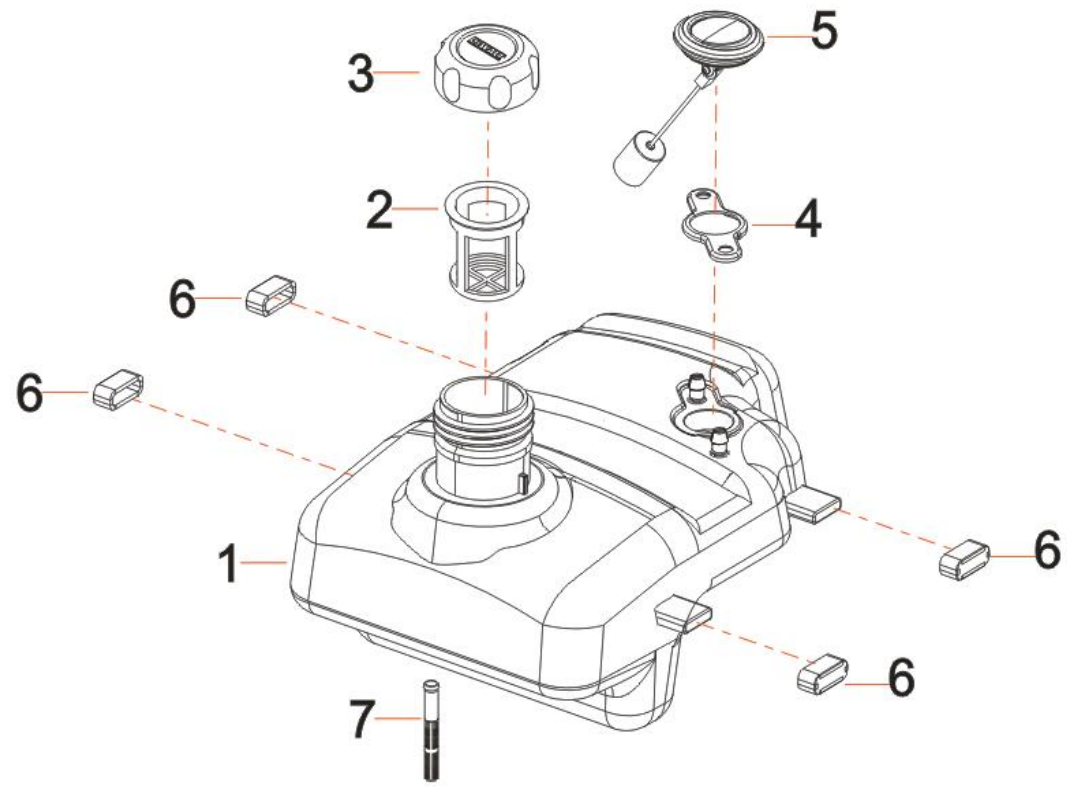


# VeGA GK2000iS Invertor 2022

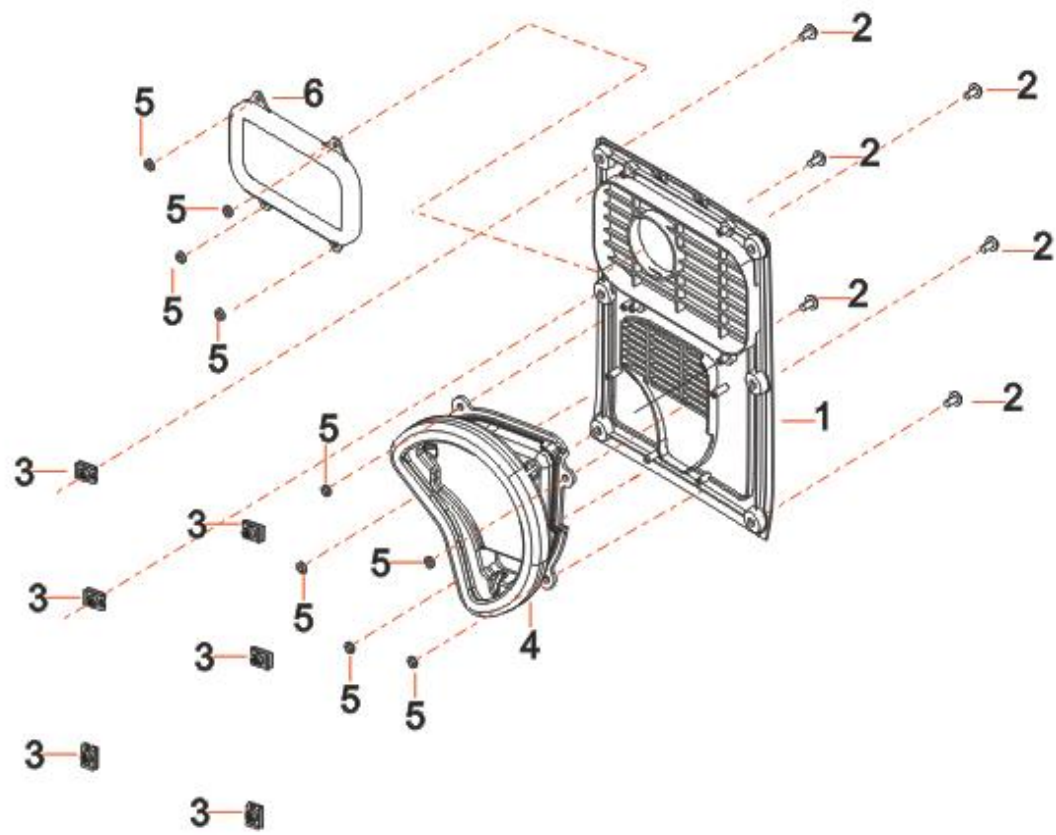


**PART 1.**

No.	ID Zboží	Název
1-1	G80IMF00GKS01	ENGINE
1-2	G9011G0101040	SCREW
1-3	G3210G1301000	CAP
1-4	G900106012010	BOLT

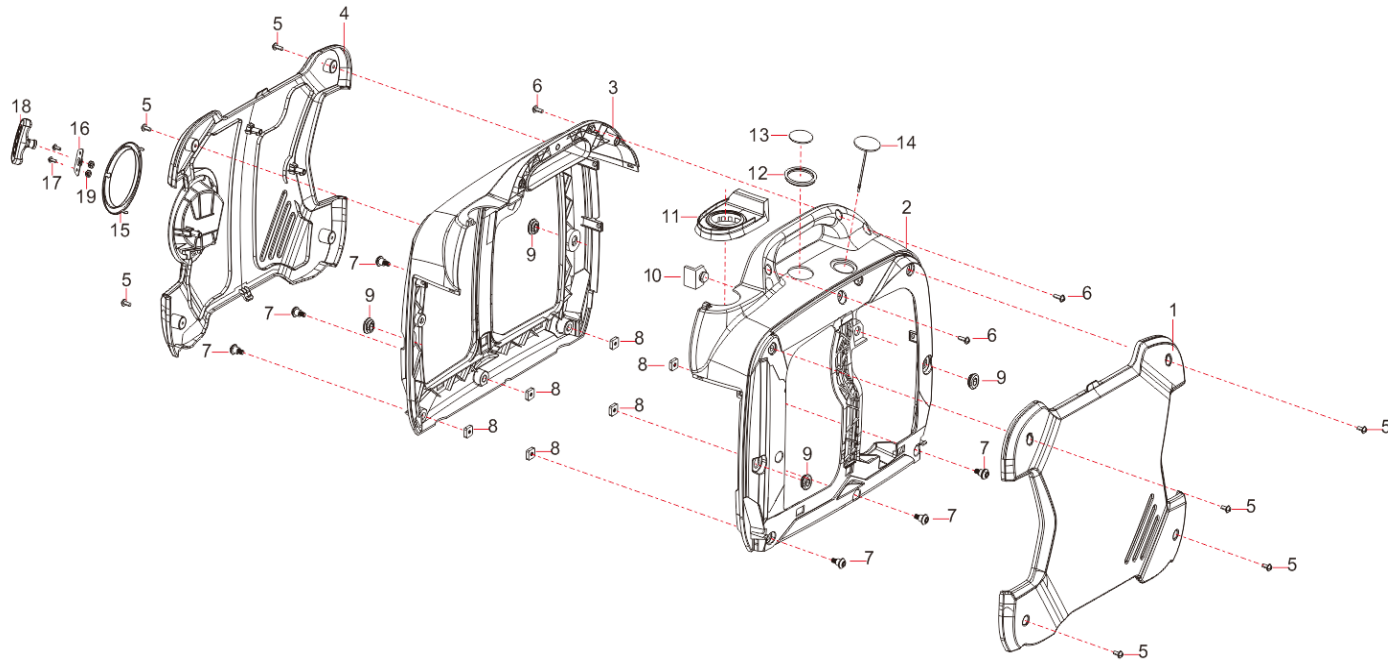


PART 2.		
No.	ID Zboží	Název
2-1	G1679G1304H20	TANK, FUEL
2-2	G1696G1302000	FUEL FILTER
2-3	G1685G1302000	COVER, FUEL TANK
2-4	G3640G1301010	platen
2-5	G3601G1301000	FUEL GAUGE
2-6	G9069G1301000	BUSH
2-7	G3214G1301000	The filter



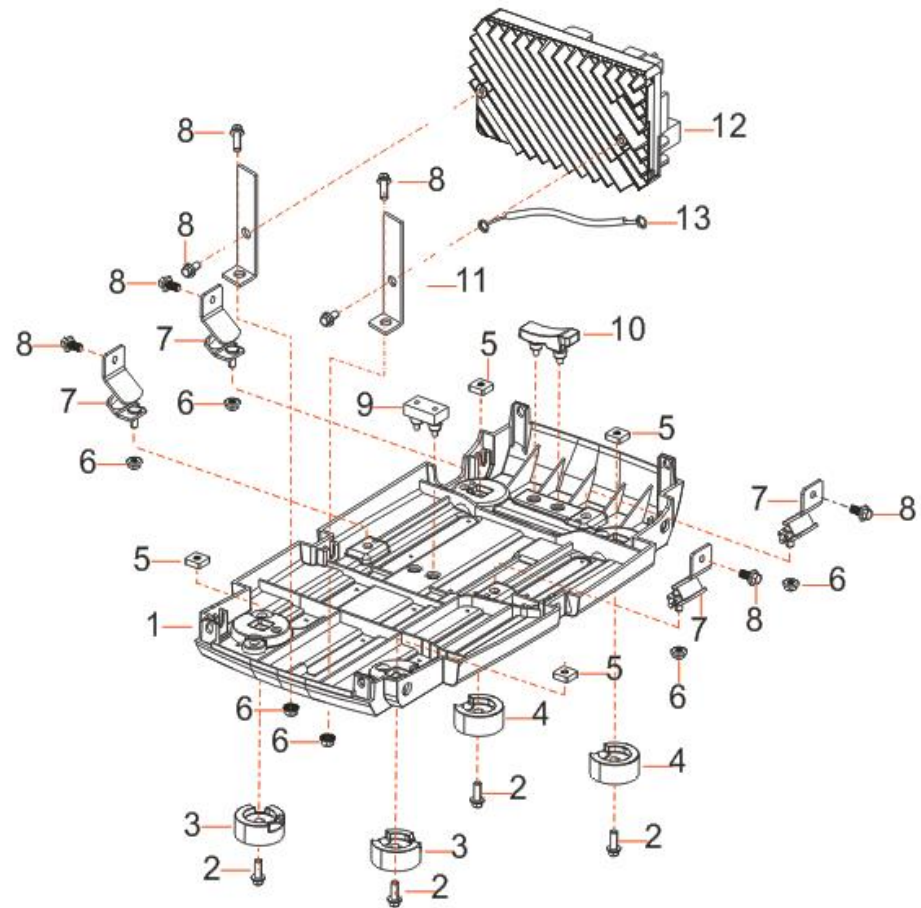
**PART 3.**

No.	ID Zboží	Název
3-1	G3254G1303000	muffler side cover
3-2	G9101G1304000	bolts
3-3	G9014G1301010	clip nut
3-4	G3261G1301000	Joint shock absorber
3-5	G3262G1301000	spring collar
3-6	G1826E2202000	air hood seal



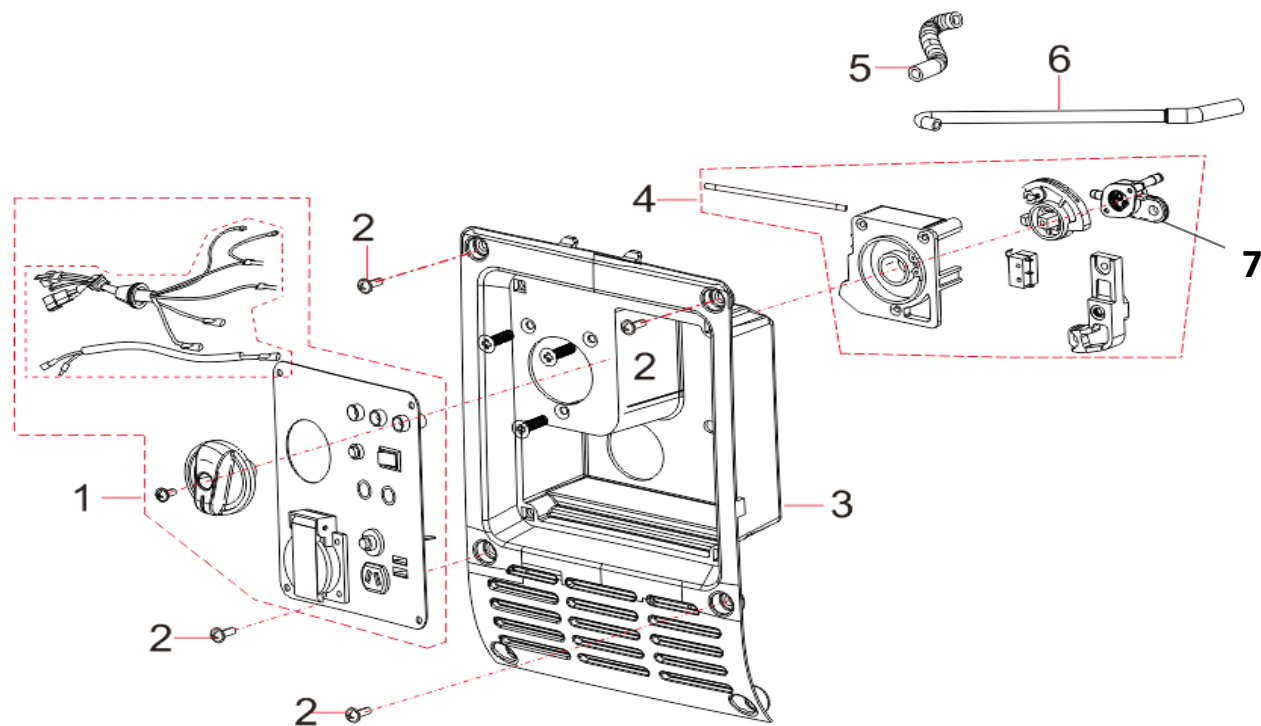
**PART 4.**

No.	ID Zboží	Název
4-1	G3246G1301R20	RIGHT EXTERIOR COVER
4-2	G3234G1301000	RIGHT SHELL
4-3	G3229G1301000	LEFT SHELL
4-4	G3240G1301R20	LEFT EXTERIOR COVER
4-5	G900905016040	NON-STANDARD BOLT
4-6	G9101G1304000	CROSS GROOVED DISC HEAD SCREW
4-7	G9101G1301000	NON-STANDARD BOLT
4-8	G9013G1301010	SQUARE NUT
4-9	G3001G1302000	FUEL TANK SUPPORT RUBBER SLEEVE
4-10	G3215G1301000	BUFFER CUSHION FOR ENGINE UPPER SUSPENSION
4-11	G3043G1301000	OIL INJECTION NOZZLE RUBBER SLEEVE
4-12	G3253G1301000	RUBBER SHEATH
4-13	G3043G1302000	OIL-MARKED GLASS WINDOW
4-14	G3245G1301000	RUBBER SHEATH
4-15	G3202G1301000	LEFT TRIM PANEL
4-16	G900904012010	STARTING ROPE GUIDE PLATE
4-17	G3208G1301000	CROSS GROOVED DISC HEAD SCREW
4-18	G900404000010	STARTING ROPE HANDLE
4-19	G900404000010	HEXAGON FLANGE NUTS



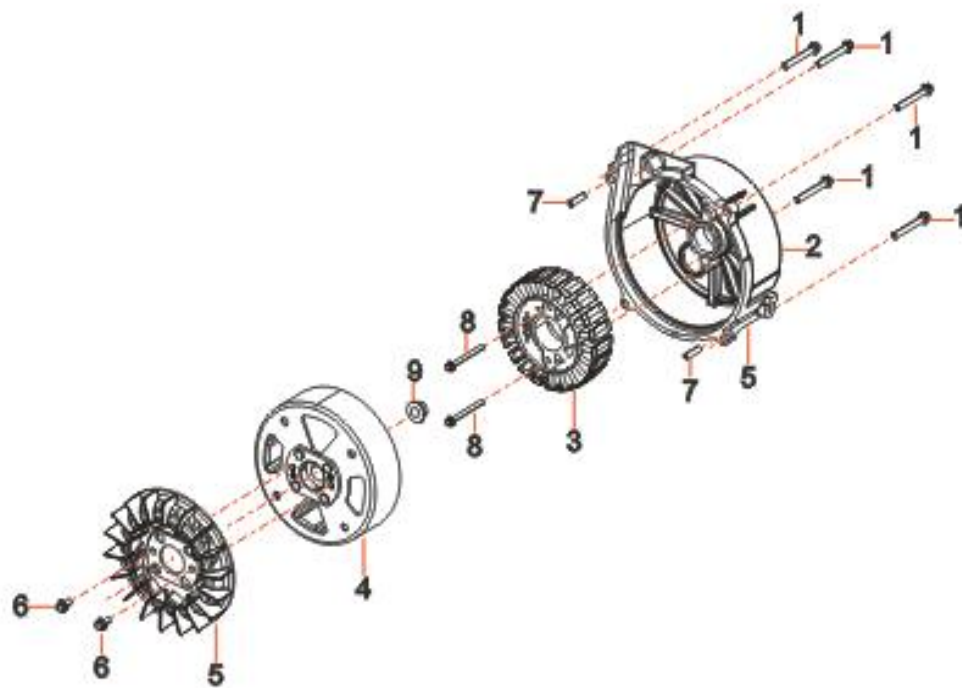
**PART 5.**

No.	ID Zboží	Název
5-1	G3227G1301000	bottom plate
5-2	G900106014010	BOLT
5-3	G3613G1301000	SEAT,FRAME
5-4	G3613G1302000	SEAT,FRAME
5-5	G9013G1301010	NUT
5-6	G900406000010	NUT
5-7	G3610G1301000	SEAT,FRAME
5-8	G900106012010	BOLT
5-9	G3228G1302000	Buffer pad support
5-10	G3228G1301000	Buffer pad support
5-11	G3216G1305000	Inverter Mounting Bracket
5-12	G3305G1322000	Inverter
5-13	G1522G1401000	Ground wire



**PART 6.**

No.	ID Zboží	Název
6-1	G3570G1313H2B	control panel combination
6-2	G901505012040	screw + flat washer
6-3	G3590G1301000	Panel holder
6-4	G1521G1301000	switch assembly
6-5	G9068G1301000	tubing
6-6	G9068G1302000	tubing
6-7	G3002G1301000	Oil switch parts

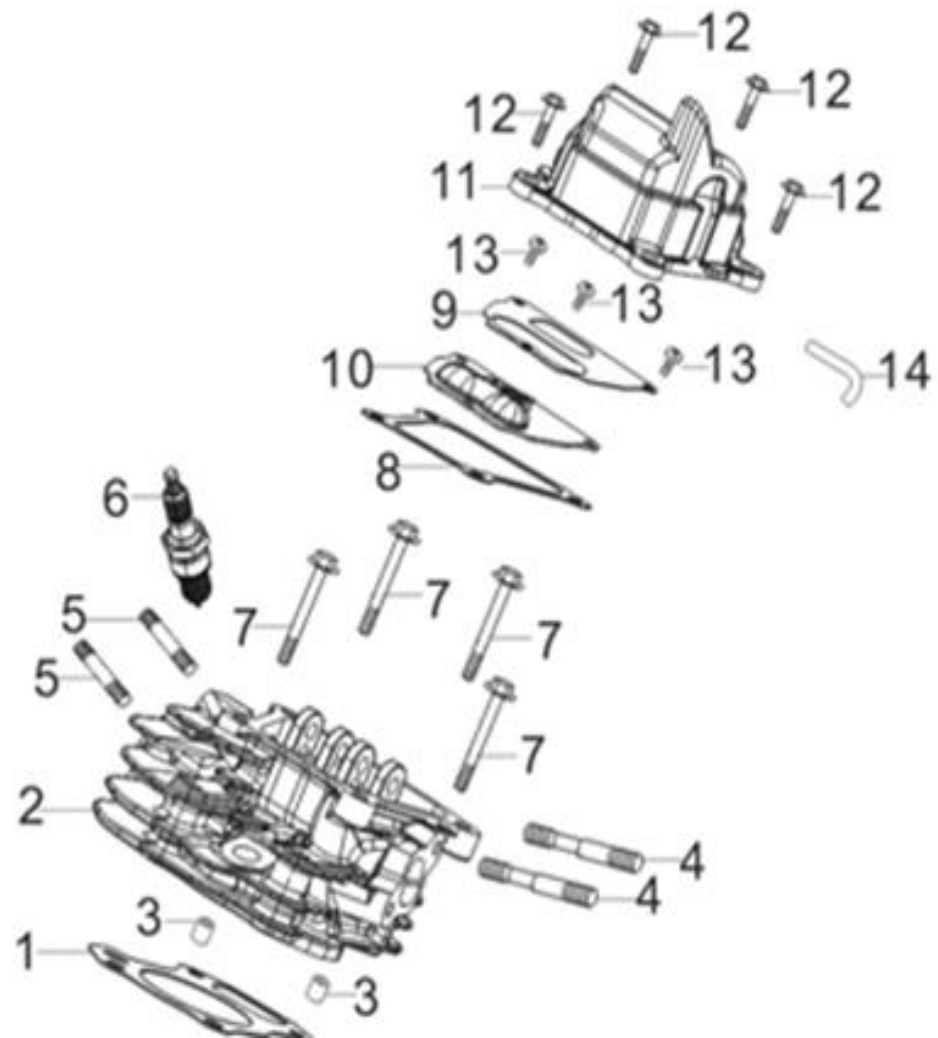


**PART 7.**

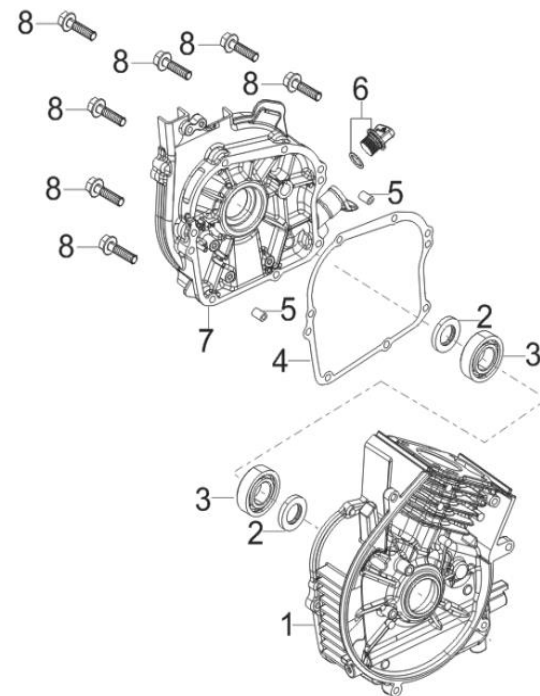
No.	ID Zboží	Název
7-1	G900106030010	BOLT
7-2	G3304G1301000	SHROUD, MOTOR
7-3	G3142G1311000	STATOR COMP.
7-4	G3141G1303000	ROTOR COMP
7-5	G1935G1301000	impeller
7-6	G900106010010	BOLT
7-7	G905108012000	PIN
7-8	G900106030010	BOLT
7-9	G900412000010	NUT

**1. CYLINDER HEAD**

No.	ID Zboží	Název
1-1	G1230E2201000	GASKET, CYLINDER HEAD
1-2	G1214E2201000	HEAD SUBASSEMBLY, CYLINDER
1-3	G905108012000	PIN
1-4	G9103E2201010	STUD
1-5	G9103E2202010	STUD
1-6	G1567E2201000	PLUG, SPARK
1-7	G9109E2201010	BOLT, CYLINDER HEAD
1-8	G1204E2201000	GASKET, CYLINDER HEAD COVER
1-9	G1136E2201000	PIECE, BREATH
1-10	G1134E2201000	GASKET, BREATH GROOVE
1-11	G1241E2201000	COVER SUBASSEMBLY, CYLINDER HEAD
1-12	G900106016010	BOLT
1-13	G900908008010	SCREW
1-14	G1703E2201000	TUBE, BREATHER

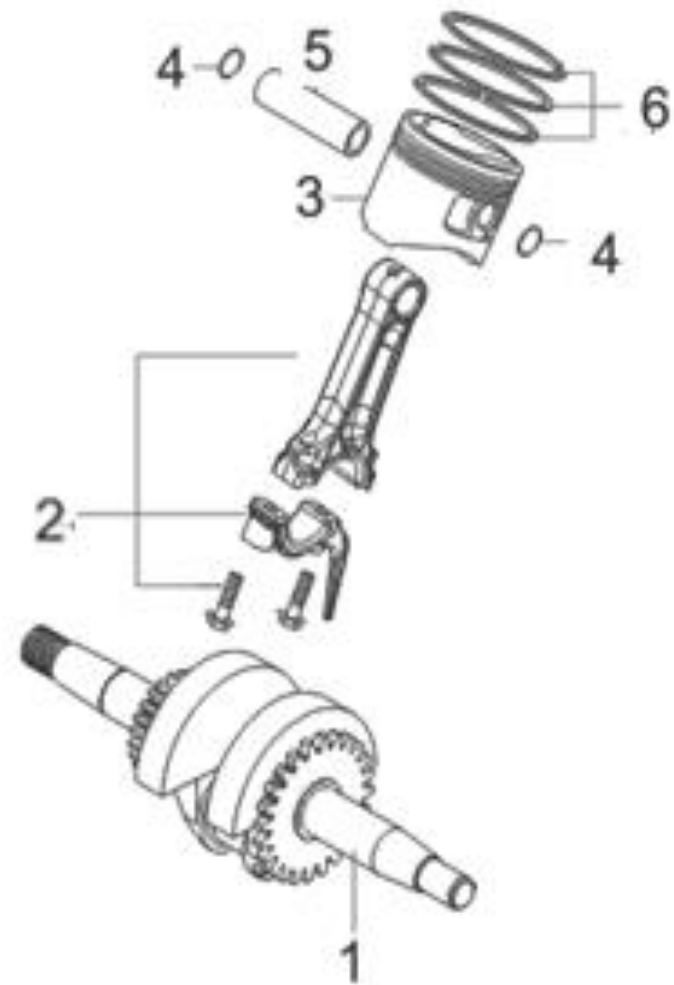






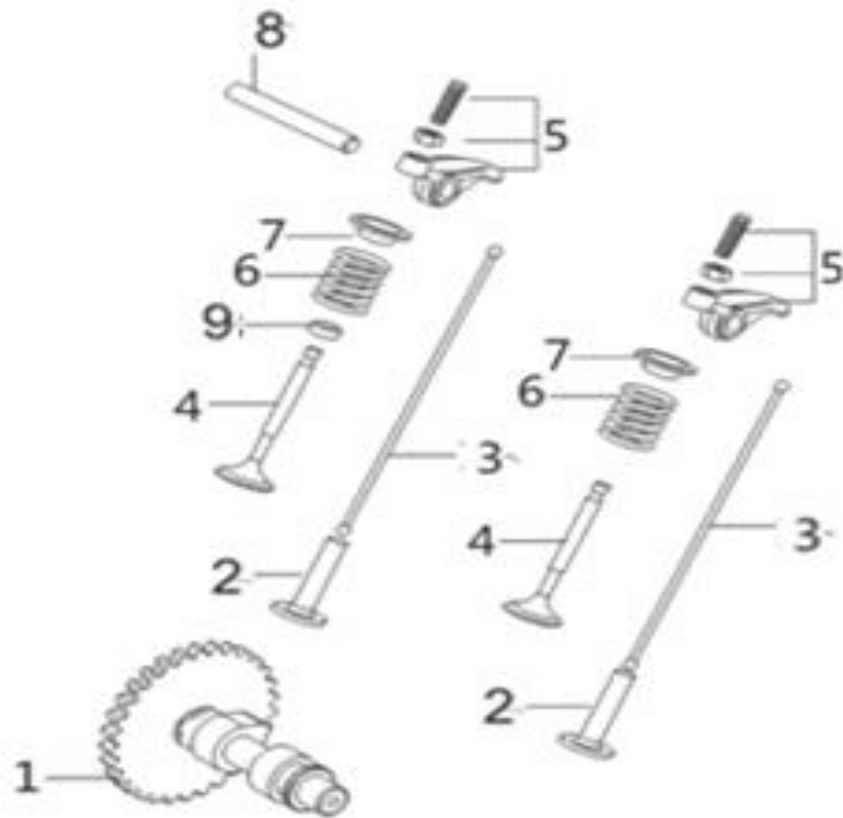
## 2. CRANK CASE

No.	ID Zboží	Název
2-1	G1131E2201120	CRANKCASE SUBASSEMBLY.
2-2	G9065E2201000	OIL-SEAL
2-3	G905462046000	BEARING
2-4	G1101E2201000	GASKET, CRANKCASE
2-5	G905108012000	PIN
2-6	G1501E2201130	PLUG SUBASSEMBLY, ENGINE OIL
2-7	G1141E2201120	COVER, CRANKCASE
2-8	G900106020010	BOLT



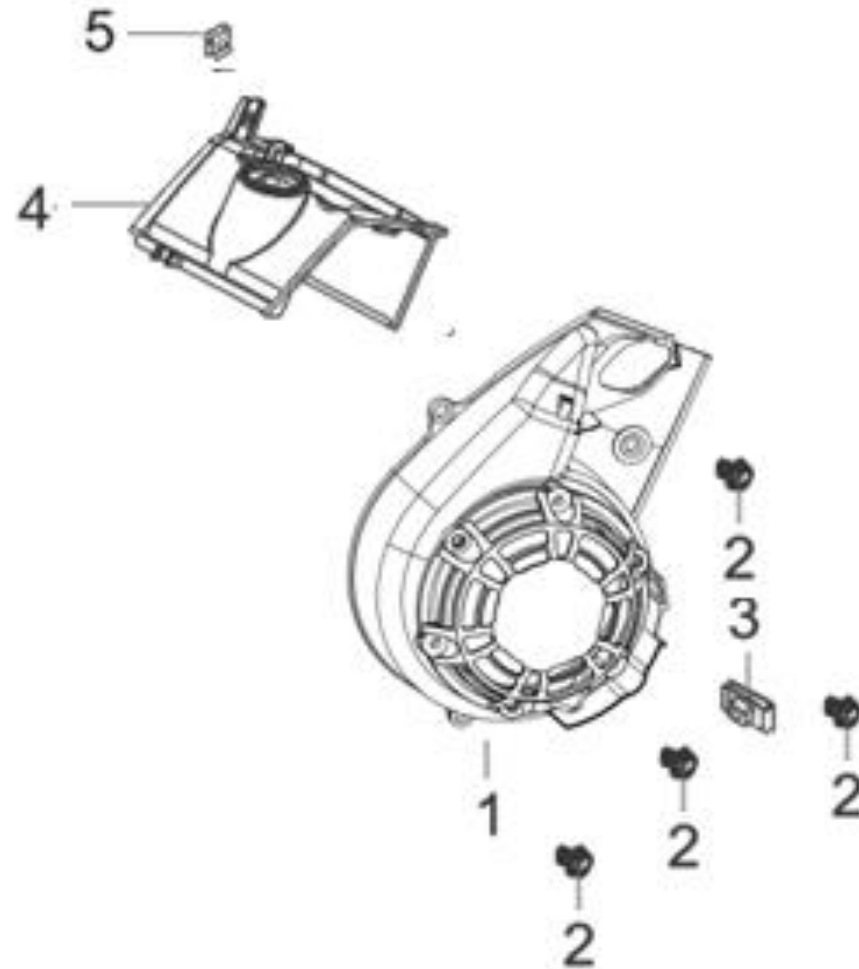
### 3. CRANKSHAFT/PISTON

No.	ID Zboží	Název
3-1	G1330E2201000	CRANKSHAFT ASSY.
3-2	G1301E2201000	ROD, CONNECTING
3-3	G1311E2201000	PISTON
3-4	G1313E2201000	CLIP, PISTON PIN
3-5	G1312E2201000	PIN, PISTON
3-6	G1320E2201000	RING ASSY, PISTON



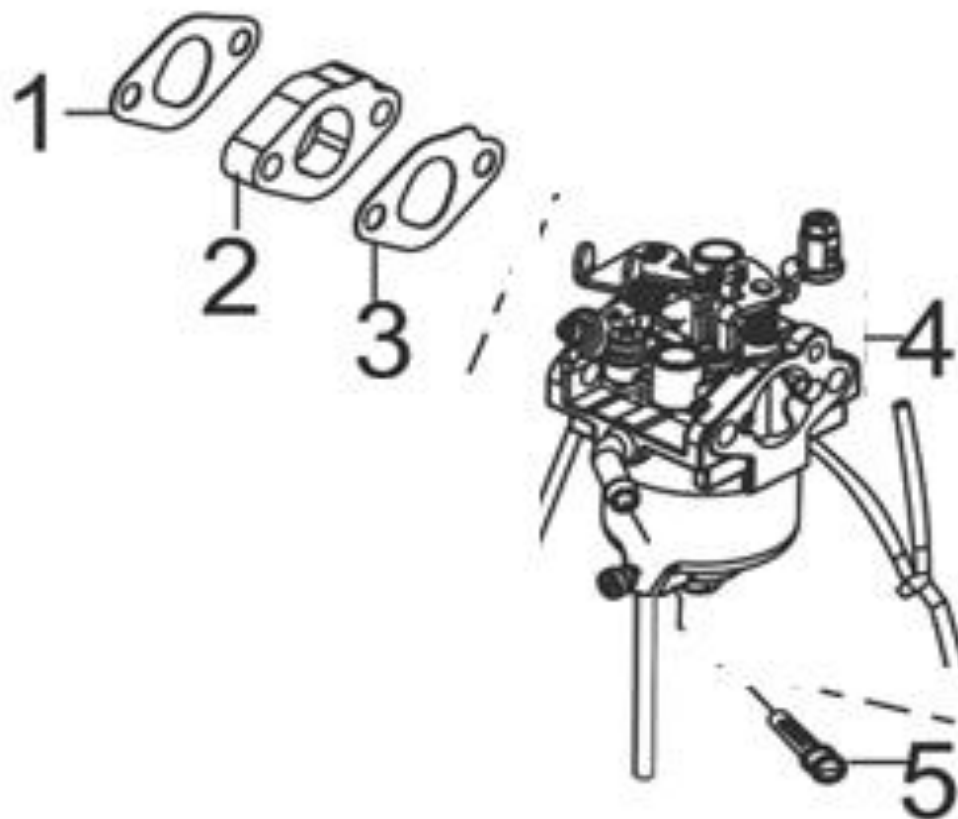
#### 4. TRAIN, VELVE, CAMSHAFT

No.	ID Zboží	Název
4-1	G1420E2204000	CAMSHAFT ASSY.
4-2	G1481E1001000	TAPPET, VALVE
4-3	G1470E2201000	LIFTER, VALVE
4-4	G1220E2201000	VALVE SET
4-5	G1430E2201000	ROCKER SUBASSEMBLY, VALVE
4-6	G1213E2201000	SPRING, VALVE
4-7	G1212E2201000	SEAT, VALVE SPRING
4-8	G1432E2201000	SHAFT, VALVE ROCKER
4-9	G1211E2201000	GUIDE, SEAL



**5. STARTER, RECOIL**

No.	ID Zboží	Název
5-1	G2810E2201000	STARTER ASSY, RECOIL
5-2	G900106016010	BOLT
5-3	G9014G1301010	NUT
5-4	G1251E2201000	AIR DEFLECTOR, CYLINDER HEAD
5-5	G9076E2201000	BAYONET LOCK



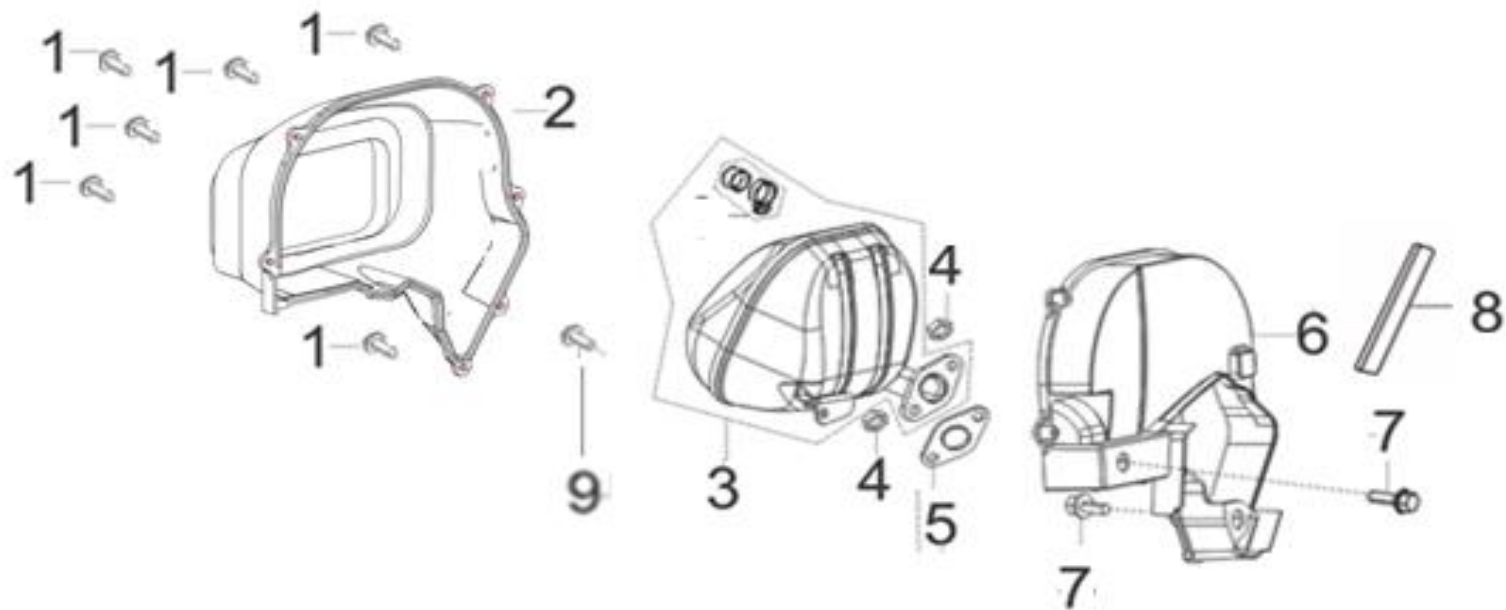
## 6. CARBURETOR

No.	ID Zboží	Název
6-1	G1702E2201000	GASKET, CARBURETOR
6-2	G1603E2201000	PLATE, CARBURETOR INSULATOR
6-3	G1601E2201000	GASKET, CARBURETOR INSULATOR
6-4	G1610E2201000	CARBURETOR ASSY.
6-5	G1696E2201000	FUEL FILTER

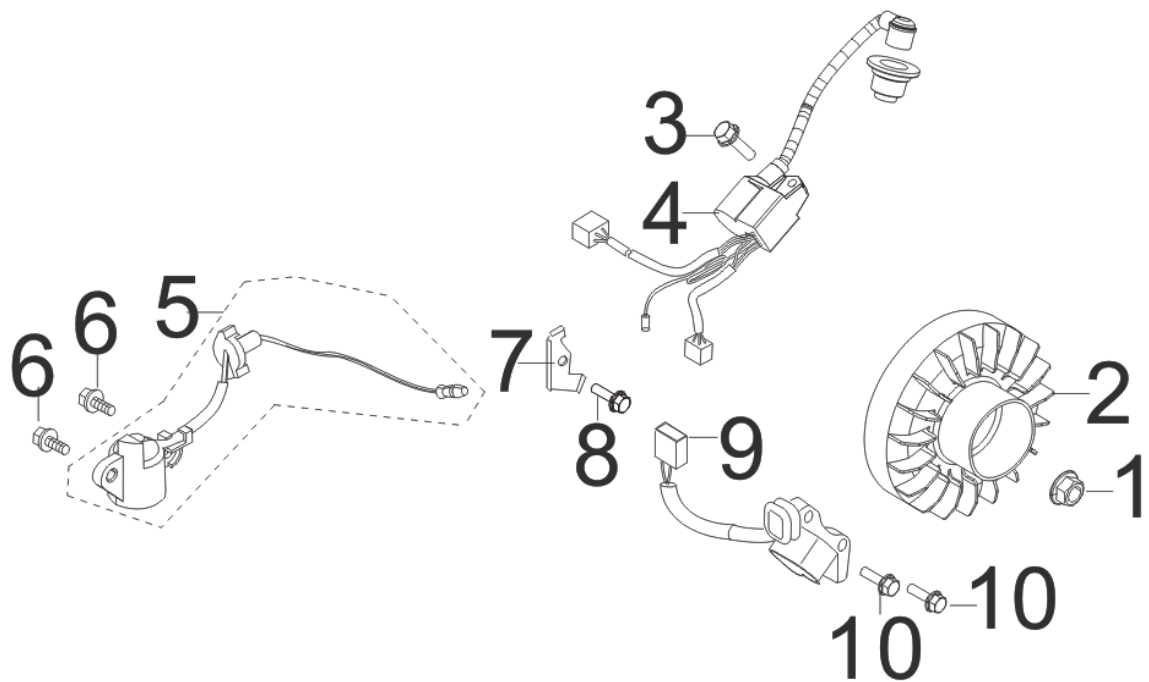


#### 7. CLEANER, AIR

No.	ID Zboží	Název
7-1	G1710E2201000	CLEANER, AIR
7-2	G1701E2201000	GASKET, AIR CLEANER
7-3	G900406000011	NUT
7-4	G900205020010	BOLT
7-5	G900106020010	BOLT



8. MUFFLER		
No.	ID Zboží	Název
8-1	G901648016010	SCREW, CROSS GROOVE PAN
8-2	G1819E2202000	MUFFLER SHIELD
8-3	G1810E2201000	MUFFLER ASSY.
8-4	G900506000010	NUT
8-5	G1801E2201000	GASKET, EXHAUST OUTLET
8-6	G1825E2201000	SHROUD, MUFFLER
8-7	G900206018010	BOLT
8-8	G1826E2201000	COVER, GASKET
8-9	G900206012010	BOLT



### 9. FLYWHEEL/COIL ASSY

No.	ID Zboží	Název
9-1	G910212000010	NUT, FLYWHEEL
9-2	G1351E2202000	FLYWHEEL SUBASSEMBLY
9-3	G900106020010	BOLT
9-4	G1509E2202000	IGNITOR
9-5	G1536E2201000	SENSOR, ENGINE OIL
9-6	G900106012010	BOLT
9-7	G3306E2201000	CLAMP
9-8	G900106012010	BOLT
9-9	G1506E2201000	COIL, IGNITION
9-10	G900106020010	BOLT